

MAIZE CORPORATION

PO BOX 476 MAIZE, KS 67101
(316) 722-8710 FAX (316) 722-1290
TOLL FREE (888) 722-8710
E-MAIL: parts@maizecorporation.com
WEB SITE: www.maizeparts.com

KEARNEY EQUIPMENT LLC

6020 2ND AVE WEST KEARNEY, NE 68847
(308) 234-2485 FAX (308) 237-2602
TOLL FREE (888) 234-2485
E-MAIL: kearneyequip@kearneyequip.com

HIGH QUALITY - DISCOUNT PRICED REPLACEMENT PARTS CATALOG FOR JOHN DEERE® FORAGE HARVESTERS



3960 - 3975



5200 - 5830



6610 - 7500



7700 - 7850

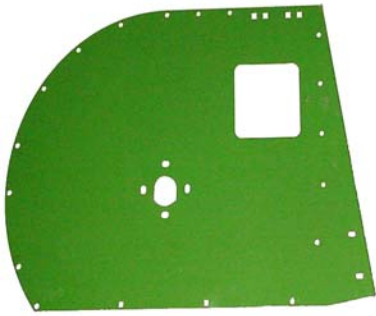
Maize Corporation repair parts are the best of quality. In a number of areas we exceed OEM quality in design and material. We guarantee all of our parts to bolt up and fit properly.

Maize Corporation has been manufacturing quality repair parts for forage harvesters and big square balers since 1977. All the manufactured parts in this book are manufactured in the U.S.

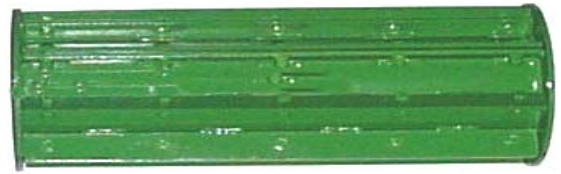


2012

Maize Corporation Special Parts



The 37290MS has a larger cleanout hole to make it easier to install and adjust blower paddles. Use 35982MS door with your 37290MS plate.



The 37237M lower front feedroll is more aggressive and has replaceable bars made from wear resistant steel



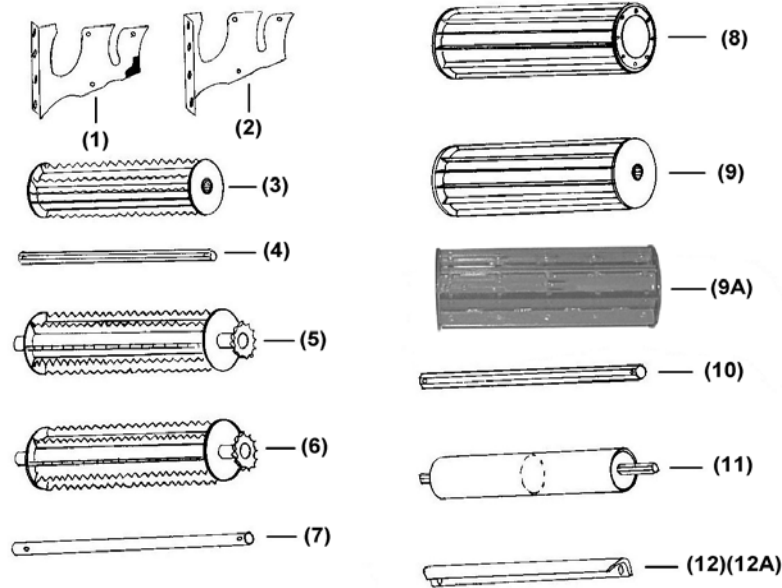
The bolt in 3/16" stainless steel wear plate mounts on the inside of your blower with two bolts. It covers and prevents wear to the main frame and the bottom edge of the outside sheet. The 1/4" inch alloy wrappers outlast all others. Maize wrappers are the heaviest wrappers on the market. The replacement pan under the cutter head bolts in over the OEM weld in pan as it wears out.



The special 1/4" heat treated paddle has both sides and lower 1-1/2" formed upward so the edge sits 90° from wrapper to catch material and move it out of the blower at a higher velocity. These paddles will blow the toughest feed to the back of the wagon.

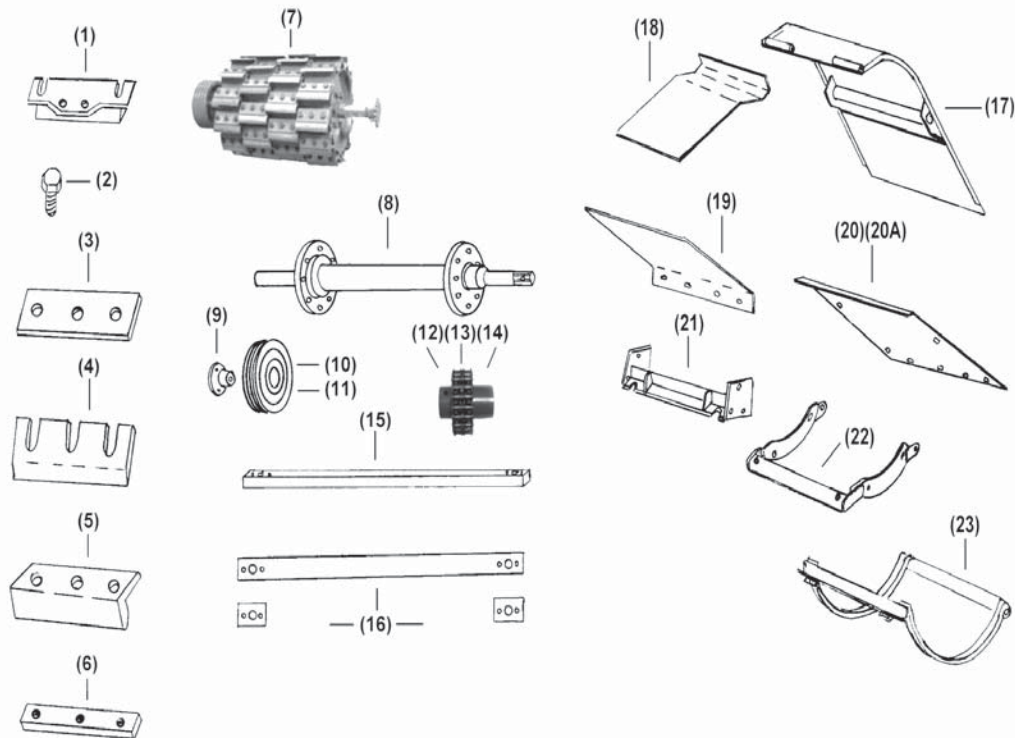
3000 SERIES

3960/3970/3975 FEEDROLLS



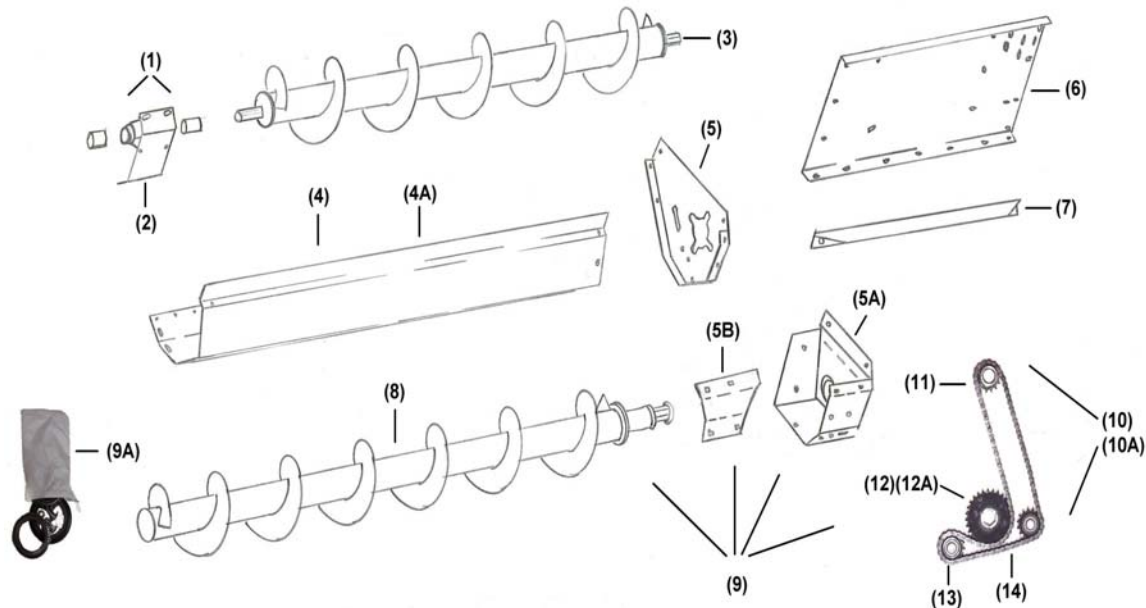
Item No.	Maize Part No.	Deere Part No.	Description	Qty Req
1	83070M	E83070	<u>RH wear plate</u> , feedroll sides, w/hard surfacing, 3940-3975	1
2	83069M	E83069	<u>LH wear plate</u> , feedroll sides, w/hard surfacing, 3940-3975	1
3	43832M	AE43832	<u>Feedroll, upper rear</u> , special alloy teeth and end plates	1
4	81583M	E81583	<u>Shaft, upper rear feedroll</u> , induction hardened for longer life	1
5	41469M	AE41469	<u>Feedroll, upper front</u> , straight, special alloy teeth, includes bearings and seals	1
6	45962M	AE45962	<u>Feedroll, upper front</u> , straight stainless steel, includes bearings and seals	1
7	72468M	E72468	<u>Shaft</u> , all upper front feedrolls, induction hardened ends	1
8	42646M	AE42646	<u>Feedroll, lower front</u> , stainless steel w/iron guard	1
9	44164M	AE44164	<u>Feedroll, lower front</u> , steel w/o iron guard	1
9A	37237M	N/A	<u>Feedroll, lower front</u> , steel, replaceable bars, aggressive	1
10	62407M	E62407	<u>Shaft, hex</u> , lower front steel feedroll, induction hardened	1
11	49948M	AE49948	<u>Feedroll, lower rear</u> , 1/4" wall, heavy duty, center plate to support shaft. Induction hardened ends for long life	1
12	44960M	AE44960	<u>Cleaner, lower rear feedroll</u> , special alloy for long life	1
12A	44959M	AE44959	<u>Cleaner, lower rear feedroll</u> , special alloy for long life 3940-3950	1

3960/3970/3975 CUTTER HEAD



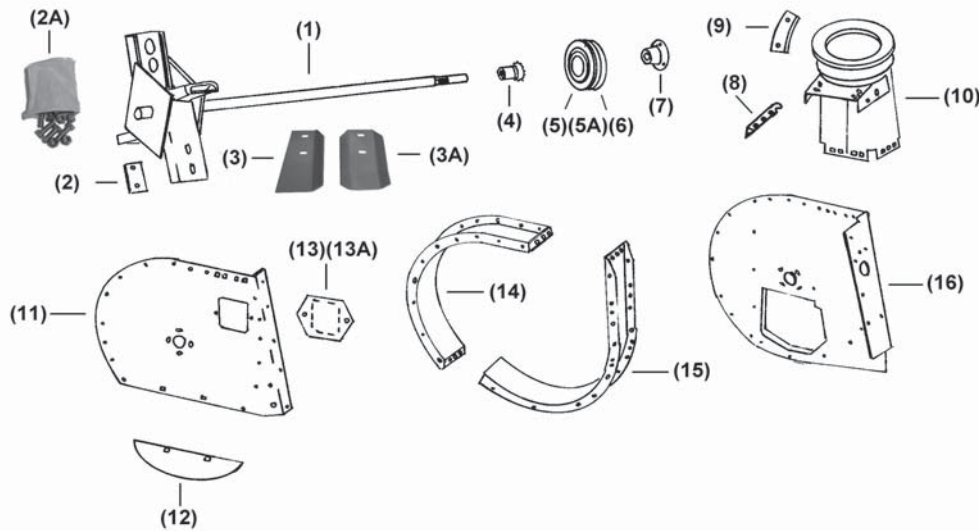
Item No.	Maize Part No.	Deere Part No.	Description	Qty Req
1	46064M	AE46064	<u>Stone</u> , sharpener, long lasting, doesn't plug or crack	1
2	83034M	E83034	<u>Bolt, knife</u> , Cat®, grade 8, best on the market	144
3	78596M	E78596	<u>Top strap</u> , knife holddown, special design, heat treated	48
4	61961M	E61961	<u>Knife, standard</u> , OEM quality, torque bolts 105 ft lbs.	48
5	61958M	E61958	<u>Bracket, knife mount</u> , 5/16 heavy duty angle	A/R
6	61960M	E61960	<u>Nut, knife</u> , coldroll, heat treated, threads won't pull	48
7	43856M	AE43856	<u>Cutter head, complete</u>	1
8	43857M	N/A	<u>Shaft w/hubs</u> , straight splines and straight shaft	A/R
9	62528M	N/A	<u>Hub</u> , used with (62529M and 62530M)	A/R
10	62529M	N/A	<u>Sheave 9-3/8"</u> for corn (requires 62528M)	A/R
11	62530M	N/A	<u>Sheave 11"</u> for haylage (requires 62528M)	A/R
12	45916M	N/A	<u>Coupling sprocket</u> , special straight splines for longer life, Maize cutter head shaft only	1
13	35501M	AE35501	<u>Coupling chain</u>	1
14	45917M	AE45917	<u>Coupling sprocket</u> , gear box shaft	1
15	70247M	AE44466	<u>Cutter bar</u>	1
16	44466M	E72012	<u>Bearing kit</u> , cutter bar	1
17	39750M	AE39750	<u>Lid, rear cutter head</u> , alloy insert for longer life	1
18	65717M	E65717	<u>Lid, front, cutter head</u>	1
19	62349M	E62349	<u>Pan, front</u> , below feedrolls	1
20	62350M	N/A	<u>Pan, rear</u> , under cutter head	1
20A	62729M	N/A	<u>Pan, rear</u> , under cutter head, 3940-3955	1
21	37437M	AE37437	<u>Front mounting bracket</u> , recutter screen	1
22	41575M	AE41575	<u>Bracket, clearance adjuster</u> , recutter screen	1
23	37441M	AE37441	<u>Bail, recutter screen</u>	1

3940/3955 - 3960/3970/3975 CROSS AUGER



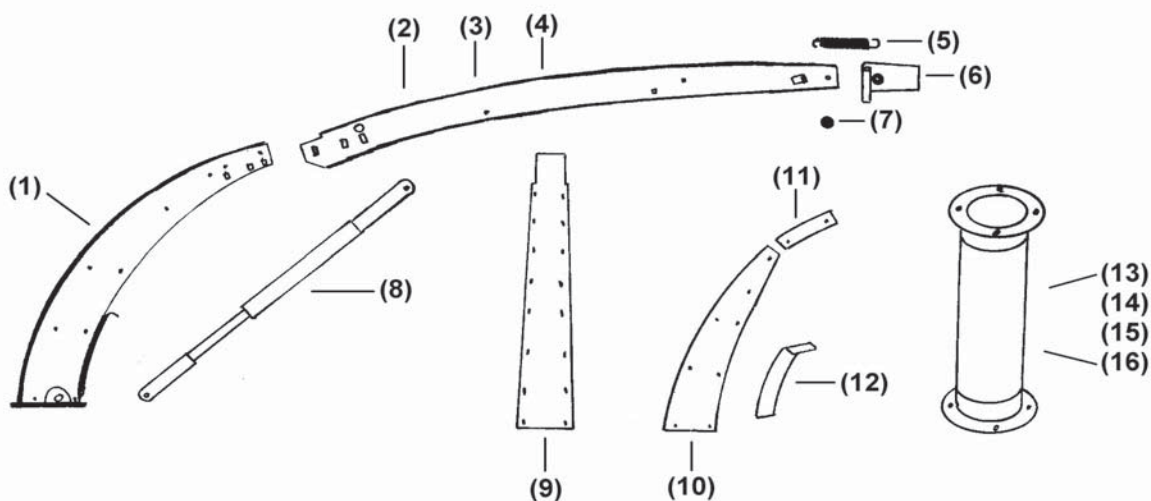
Item No.	Maize Part No.	Deere Part No.	Description	Qty Req
1	60545M	H60545	<u>Bushing</u> , brass	2
2	37285M	AE37285	<u>Support bracket</u> , complete w/bushings	1
3	37283M	AE37283	<u>Auger</u> , requires 37285M support bracket	1
4	44521M	AE44521	<u>Trough</u> , auger, with supported end, non cantilever	1
4A	51715M	AE51715	<u>Trough</u> , auger, cantilever	1
5	37462M	AE37462	<u>RH support bracket</u> , use with item 37283M	1
5A	70488M	AE70488	<u>RH support</u> , cantilever auger, to be used with 37468M includes bearing cups installed	1
5B	98426M	E98426	<u>Support bracket</u> , used w/o kernal processor	1
6	73016M	E73016	<u>Panel</u> , front of auger	1
7	62524M	E62524	<u>Stripper angle</u> , front of auger	1
8	37468M	AE37468	<u>Auger</u> , no left end support, cantilever	1
9	37469M	N/A	<u>Cantilever auger & drive kit</u> , includes 37468M, 70488M, 98426M, 3007956M	1
9A	37469MHK	N/A	<u>Hardware kit</u> , includes nut, brg cones, seals & all hardware for cantilever auger	1
10	3007956M	N/A	<u>Update kit</u> , auger drive, 50 chain, <u>spline hub</u> for auger shaft	1
10A	3007964M	N/A	<u>Update kit</u> , auger drive, 50 chain, <u>hex hub</u> for auger shaft	1
11	37317M	N/A	<u>Sprocket</u> , drive, splined hub, 50 chain, heat treated	1
12	37315M	N/A	<u>Sprocket</u> , auger drive with splined hub, heat treated	1
12A	37318M	N/A	<u>Sprocket</u> , auger drive with hex hub, heat treated	1
13	37316M	N/A	<u>Idler sprocket</u> , heat treated	2
14	37319M	N/A	<u>50 chain</u> , includes connector link	1

3940/3955 - 3960/3970/3975 BLOWER AND OUTLET SPOUT



Item No.	Maize Part No.	Deere Part No.	Description	Qty Req
1	41606M	N/A	<u>Blower rotor and shaft assembly</u> w/sheave and hub (Eliminates Deere's special taper)	1
2	62287M	E62287	<u>Plate</u> , heat treated	4
2A	37844MBK	N/A	<u>Paddle bolt kit</u> , all bolts and heavy duty lock nuts to mount paddles	1
3	37844M	AE37844	<u>Standard Paddle</u> , 1/4" heat treated steel	4
3A	37844MS	N/A	<u>Special paddle</u> , heavy 1/4" heat treated steel, special will blow the hardest material, less wear to outside plate	4
4	37289M	AE37289	<u>Chain sprocket</u> , auger drive	1
5	62529M	N/A	<u>Sheave 9.35"</u> for haylage on blower shaft, special	A/R
5A	62370M	N/A	<u>Sheave 8"</u> for haylage on blower shaft, special	A/R
6	62530M	N/A	<u>Sheave 11"</u> for corn on blower shaft, special	A/R
7	62531M	N/A	<u>Hub</u> , special for sheave on blower shaft	1
8	81005M	E81005	<u>Strap transition</u> , blower to transition outlet spout	2
9	62338M	E62338	<u>Wear plate</u> , spout pivot mount, heat treated AR plate	2
10	48761M	AE48761	<u>Transition support</u> , blower outlet	1
11	37290M	AE37290	<u>Outside blower plate</u> , new larger cleanout hole	1
12	37291M	N/A	<u>Wear plate</u> , prevents wear to lower frame and outside blower plate	1
13	35982M	AE35982	<u>Door</u> , outside plate, original style	1
13A	35982MS	N/A	<u>Door</u> , outside plate, use with 37290M	1
14	36535M	AE36535	<u>Wrapper, top, front</u> 1/4" alloy	1
15	78174M	AE78174	<u>Wrapper, lower rear</u> 1/4" alloy	1
16	45990M	AE45990	<u>Inside blower plate</u>	1

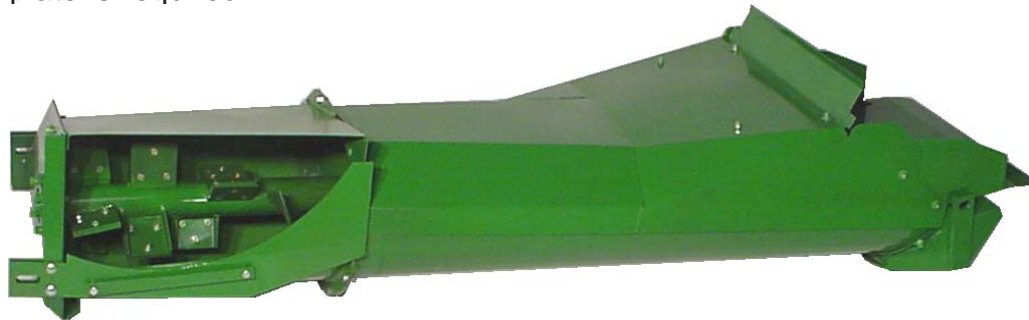
3940/3950 - 3960/3970/3975 SPOUT



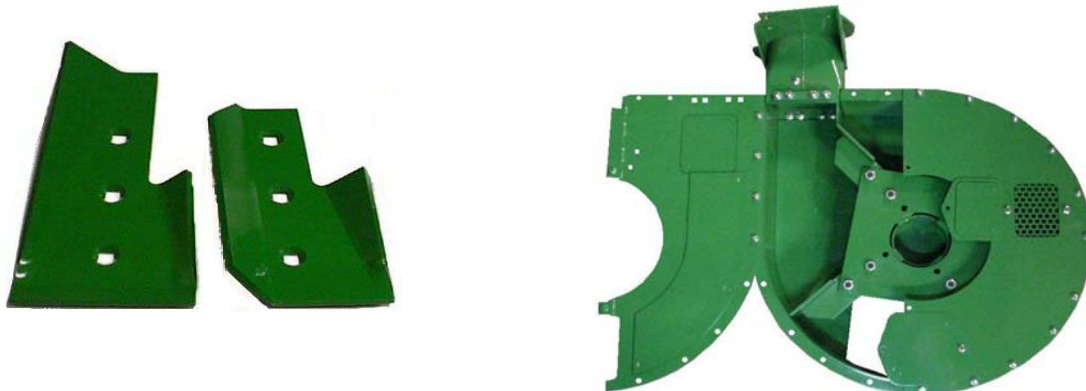
Item No.	Maize Part No.	Deere Part No.	Description	Qty Req
1	37331M	AE37331	<u>Spout complete with liners, alloy steel top liner</u>	1
2	37334M	N/A	<u>54" Horizontal Extension</u> , will not retro-fit Deere extension, Maize spout only	1
3	38645M	N/A	<u>88" Horizontal Extension</u> , will not retro-fit Deere extension, Maize spout only	1
4	38646M	N/A	<u>118" Horizontal Extension</u> , will not retro-fit Deere extension, Maize spout only	1
5	79396M	E79396	<u>Spring, deflector</u>	1
6	22358M	N/A	<u>Crop deflector</u> , will not retro-fit Deere spout extension	1
7	M6893416	N/A	<u>Pivot bushing</u> , crop deflector	2
8	37335M	AE37335	<u>Brace</u> , spout extension	1
9	52445M	N/A	<u>Top liner</u> , alloy	1
10	52447M	N/A	<u>Side liner</u> , lower	2
11	52448M	N/A	<u>Side liner</u> , upper	2
12	62112M	N/A	<u>Door</u> , cleanout hole	1
13	37336M	AE37336	<u>10" Vertical extension</u>	A/R
14	37337M	AE37337	<u>20" Vertical extension</u>	A/R
15	37338M	AE37338	<u>40" Vertical extension</u>	A/R
16	37339M	N/A	<u>50" Vertical extension</u>	A/R



Maize Corporations 9 ft windrow pickup attachment was introduced in the spring of 2005, for use on the Deere® 5000 series choppers. Power is transmitted through the heavy duty clutch mounted on 1-1/4" hex shaft. The reel is a proven double cam tract system with a width of 8-1/2 ft. from outside tooth to outside tooth. The auger is attached to a torsion tube at each end, forcing the auger to stay level and to feed the windrow more evenly. No adapter plate is required.

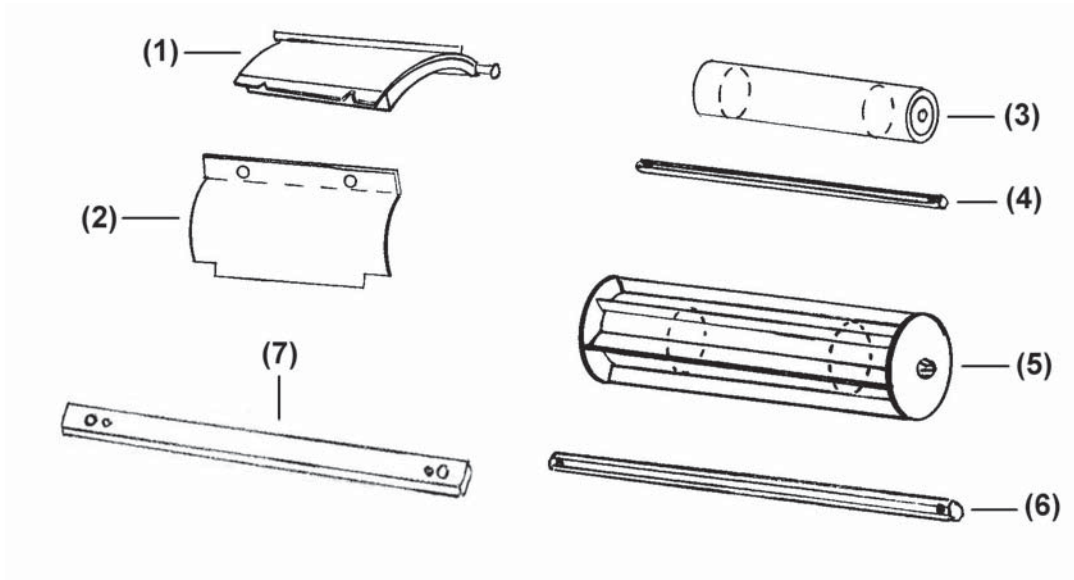


Single auger chute. Special 3-1/6" alloy steel, bolt on replaceable outlet section. Heavy duty flighting with alloy bolt on paddle covers.



Blower components with outlet transition, includes 1/4" alloy wrappers, 3/16" alloy inside and outside plates with 3/16" alloy wear plates installed. Outside plate made in 2 pieces for easy access and lower replacement cost. Outlet transition includes 3/16" alloy bolt in liner. Air cut off plate forces air and material up the spout. Tapered wheel bolts secure paddle arms to rotor plate. Optional specially formed paddles increase blowing capacity and lessen wear to wrappers and side plates.

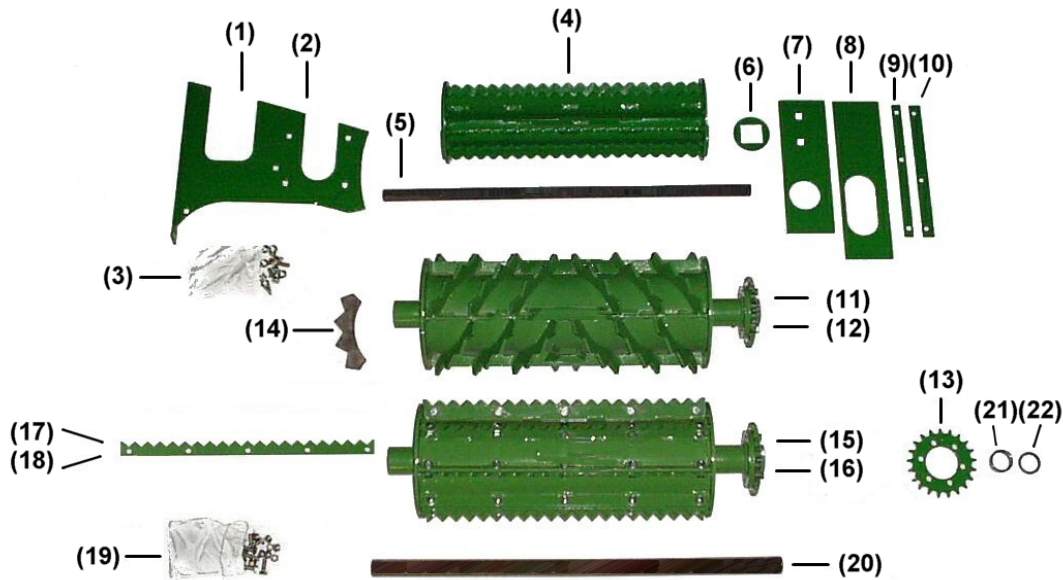
EARLY 5000 SERIES



Item No.	Maize Part No.	Deere Part No.	Description	Qty Req
1	35956M	AE35956	<u>Lid, rear, cutter head, 1/4" alloy for long life (use with J-Knife cutter head</u>	1
2	35338M	AE35338	<u>Lid, front, cutter head, 3/16" alloy for long life (use with J-Knife cutter head)</u>	1
3	37068M	AE37068	<u>Feedroll, lower rear, heavy wall tube machined symmetrical to shaft center, center shaft support plate</u>	1
4	62113M	AE62113	<u>1" Hex shaft, lower rear feedroll (37068M), heat treated shaft ends for longer life</u>	1
5	35423M	AE35423	<u>Feedroll, lower front, alloy end plates, replaceable bolt on cross bars, center shaft supports</u>	1
6	35424M	N/A	<u>1" Hex shaft, lower front feedroll (35423M) heat treated shaft ends for longer life</u>	1
7	56369M	N/A	<u>Cutterbar, early model, use with J-knife</u>	1

When you price and compare parts, remember you can't bend high carbon or wear resistant steel without it cracking if you are bending it at a tight radius. Just make sure you're getting what you pay for. All of our products are guaranteed to be what we say they are.

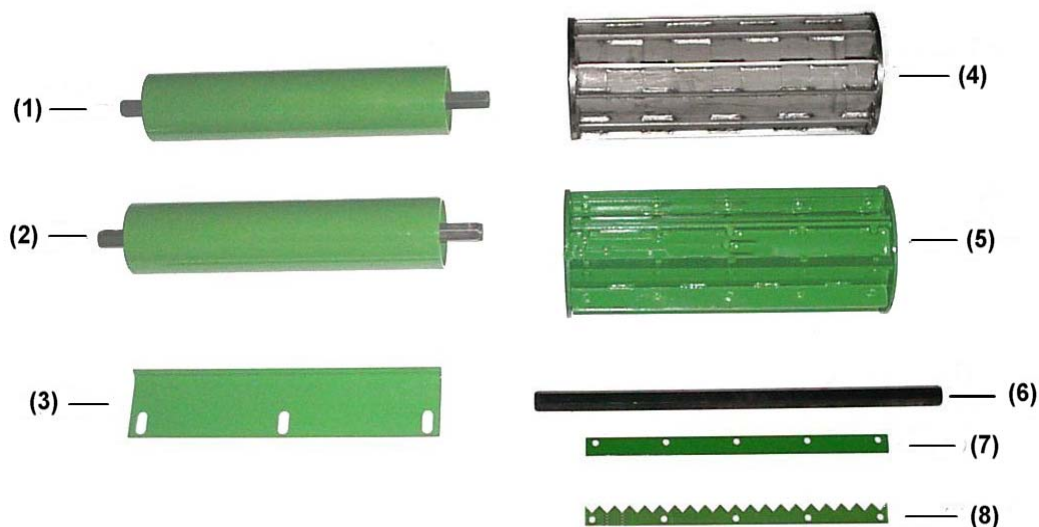
UPPER FEEDROLLS AND RELATED PARTS



Item No.	Maize Part No.	Deere Part No.	Description	Qty Req
1	38058M	AE38058	<u>Wear plate, RH, feedroll side plate, 3/16" alloy with extra hard surfacing added in high wear area</u>	1
2	385057M	AE538057	<u>Wear plate, LH, feedroll side plate, 3/16" alloy with extra hard surfacing added in high wear area</u>	1
3	38059MBK	N/A	<u>Bolt kit, feedroll side plate, all bolts to mount side plates</u>	1
4	37101M	AE37101	<u>Feedroll, upper rear, 1/4" alloy gripper teeth, 3/16" alloy end plates, hardened end hubs and center support for shaft support</u>	1
5	72352M	E72352	<u>Hex shaft, upper rear feedroll, induction hardened shaft ends increases life of shaft</u>	1
6	55609M	E55609	<u>Spacer washer, upper rear feedroll, 1/4" alloy for extra life</u>	2
7	72818M	E72818	<u>Guide plate, inside slide, 1/4" alloy, extended life</u>	2
8	72817M	N/A	<u>Guide plate, outside slide, 1/4" alloy, extended life</u>	2
9	71823M	E71823	<u>Spacer strap, upper rear feedroll, 3/16" alloy, extended life</u>	12
10	68041M	E68041	<u>Retainer strap, upper rear feedroll, 3/16" alloy, extended life</u>	4
11	43635M	AE43635	<u>Feedroll, upper front, stainless steel, spiral teeth, (includes bearings, seals and bolt on sprocket) with metal detector</u>	1

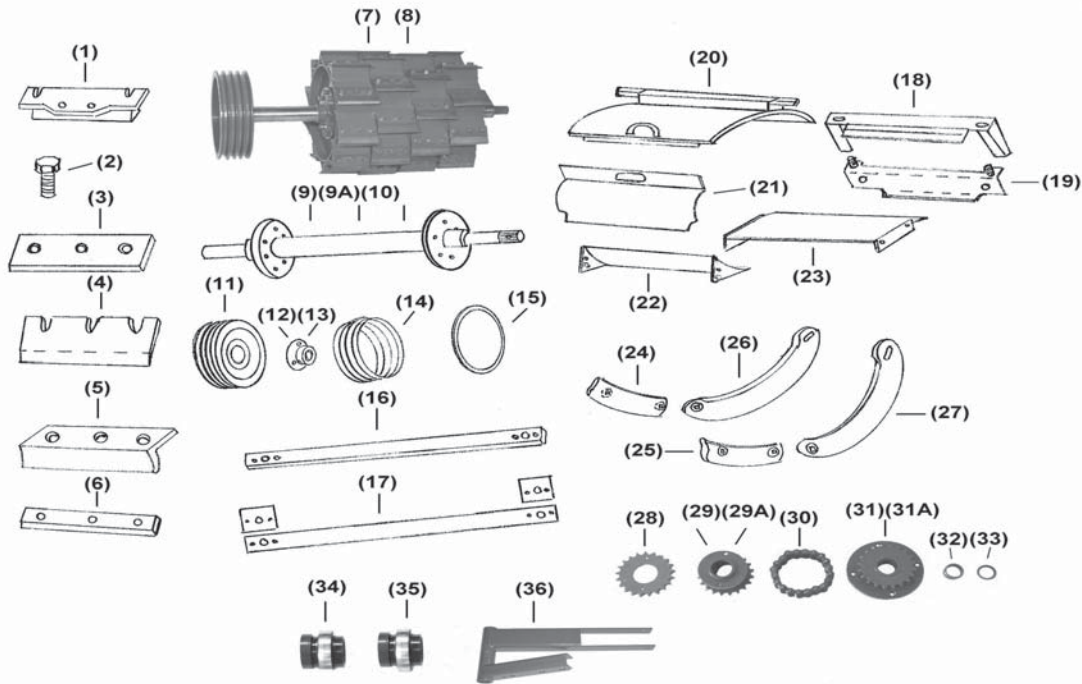
Item No.	Maize Part No.	Deere Part No.	Description	Qty Req
12	43199M	AE43198	<u>Feedroll, upper front, alloy, spiral teeth, (includes bearings seals and bolt on sprocket)</u> w/o metal detector	1
13	43200M	N/A	<u>Sprocket, heat treated, bolt on fits Maize upper front feedrolls</u>	1
14	43199MH	N/A	<u>Tooth, alloy, spiral, use 7018 rod</u>	A/R
15	43636M	N/A	<u>Feedroll, upper front, stainless, straight tooth, this design has worked well over 30 years (includes bearings, seals, replaceable sprocket and bolt on replaceable teeth)</u>	1
16	43198M	N/A	<u>Feedroll, upper front, alloy, straight tooth (includes bearings, seals, replaceable sprocket and bolt on replaceable teeth)</u> w/o metal detector	1
17	43634M	N/A	<u>Tooth, stainless, replacement for (43635M), extends the life of feedroll, with metal detector</u>	A/R
18	43197M	N/A	<u>Tooth, alloy, replacement for (43198M) extends the life of feedroll, w/o metal detector</u>	A/R
19	43635MBK	N/A	<u>Stainless steel bolt kit for (63634M) and (43197M)</u>	1
20	72037M	N/A	<u>Shaft, upper front feedroll, fits all upper front feedrolls</u>	1
21	9865M	JD9865	<u>Needle bearing, upper front feedroll</u>	3
22	53699M	N/A	<u>Seal, upper front feedroll</u>	3

LOWER FEEDROLLS AND RELATED PARTS



Item No.	Maize Part No.	Deere Part No.	Description	Qty Req
1	50029M	AE50029	<u>Feedroll, lower rear, late series, induction hardened shaft ends, shaft supports inside of feedroll</u>	1
2	42180M	AE42646	<u>Feedroll, lower rear, earlier models, induction hardened shaft ends, shaft supports inside feedroll</u>	1
3	48802M	E48802	<u>Cleaner, lower rear feedroll, 3/16" alloy for extended life</u>	1
4	42646M	AE42646	<u>Feedroll, lower front, stainless, OEM specs, made 25 lbs heavier, built to last, discount priced, with metal detector</u>	1
5	37237M	AE37237	<u>Feedroll, lower front, alloy replaceable bars, alloy end plates w/o metal detector</u>	1
6	64565M	E64565	<u>Hex shaft, lower front feedroll, (37237M) induction hardened shaft ends for longer life</u>	1
7	37238M	N/A	<u>Bar, alloy, lower front feedroll (37237M)</u>	A/R
8	37239M	N/A	<u>Tooth, alloy, lower front feedroll (37237M) use in hard</u>	A/R

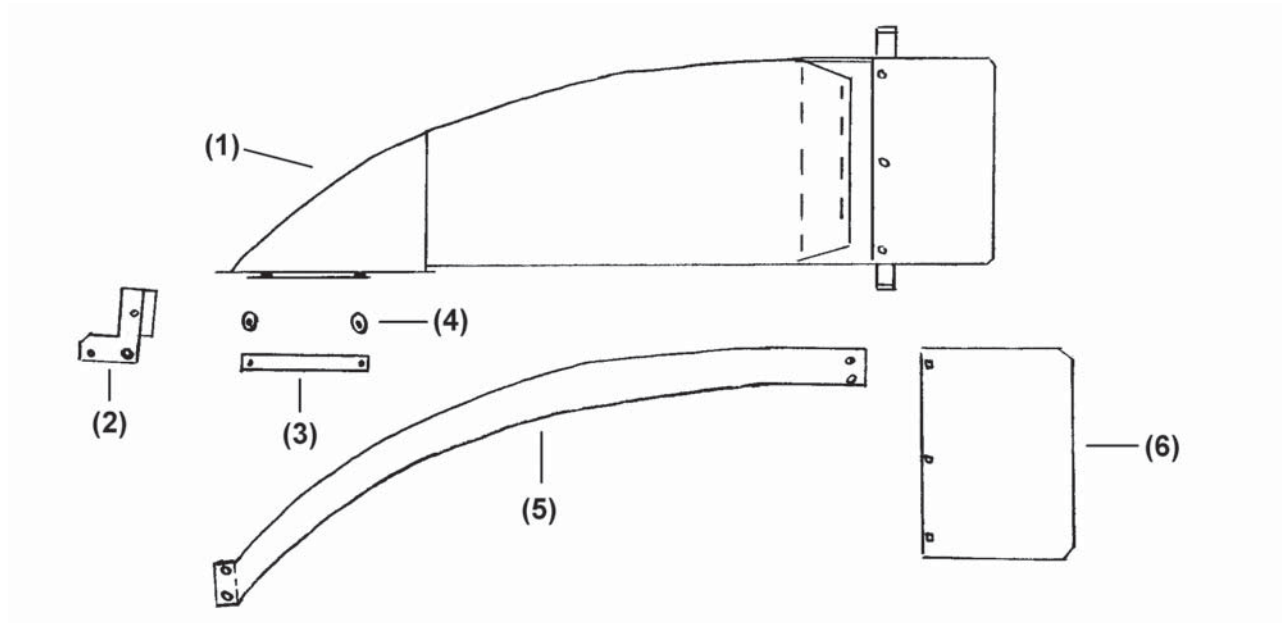
CUTTER HEAD AND RELATED PARTS



Item No.	Maize Part No.	Deere Part No.	Description	Qty Req
1	46064M	AE46064	<u>Sharpening stone</u> , OEM specs, long lasting and discount priced	1
2	83035M	E83035	<u>Bolt, knife</u> , tall head, grade 8, Cat® bolt, torque to 210 ft lbs	120
3	66536M	E66536	<u>Top strap</u> , knife, 1/4" heat treated, concave length of part for equalized holding power front and rear	40
4	66678M	E66678	<u>Knife, hard surfaced</u> , OEM specs	40
5	66538M	N/A	<u>Angle bracket</u> , knife mount	A/R
6	66537M	E66537	<u>Nut, knife</u> , heat treated cold rolled steel to prevent threads from pulling	40
7	45060M	AE45060	<u>40 Knife, cutter head, complete</u> , replaceable shaft of choice with pulley and hub or tapered shaft without pulley Add super knives option (66678MS)	1

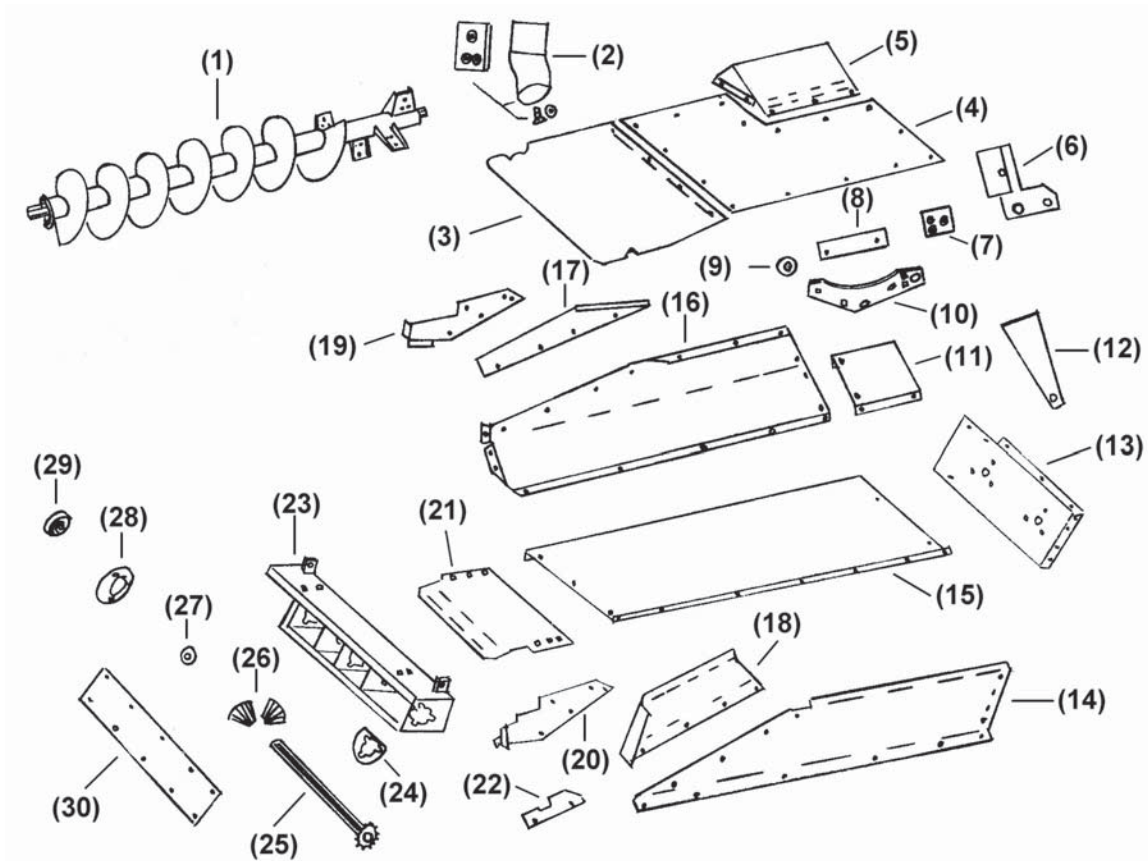
Item No.	Maize Part No.	Deere Part No.	Description	Qty Req
8	45061M	N/A	<u>48 Knife, cutter head, complete</u> , replaceable shaft of choice with pulley and hub or tapered shaft without pulley Add super knives option (66678MS)	1 Add
9	43272M	N/A	<u>2-15/16" Replaceable cutter head shaft</u> for (45060M) straight with key	1
9A	43270M	N/A	<u>2-15/16" Shaft</u> for 45060M tapered shaft	1
10	43273M	N/A	<u>2-7/16" Shaft</u> for (45060M) straight w/key	1
11	39804M	N/A	<u>4 Groove pulley</u> , cutter head drive, high quality, low cost, requires (39805M) or (39806M) hub	1
12	39805M	N/A	<u>Hub pulley</u> , 2-15/16" shaft, use with (39804M)	1
13	39806M	N/A	<u>Hub pulley</u> , 2-7/16" shaft, use with (39804M)	1
14	45931M	AE45931	<u>Belt set</u> , cutter head drive, set of 3, heavy duty #55 Kevlar®	1
15	36784M	AE36784	<u>Belt</u> , cutter head, reversing, same quality, less cost	1
16	70247M	E70247	<u>Cutter bar</u> , heavy duty, extra tungsten carbide	1
17	44466M	AE44466	<u>Bearing kit</u> , cutter bar, OEM quality, less cost	1
18	41322M	AE41322	<u>Cover</u> , behind cutter head lid, includes seal	1
19	35572M	N/A	<u>Bracket</u> , cover mount	1
20	40698M	E40698	<u>Lid, rear, cutter head</u> , extra life and durability	1
21	66518M	E66518	<u>Lid, front, cutter head</u> , 1/4" alloy, extra life and durability	1
22	38618M	AE38618	<u>Pan, lower front</u> , cutter head, extra life and durability	1
23	35570M	AE35570	<u>Pan, lower rear</u> , cutter head, 1/4" alloy, extra life and durability	1
24	63418M	E63418	<u>RH wear plate</u> , 1/4" alloy, grade 8 plow bolts in place of carriage bolts, extra life and durability	1
25	63419M	E63418	<u>LH wear plate</u> , 1/4" alloy, grade 8 plow bolts in place of carriage bolts, extra life and durability	1
26	65299M	E65300	<u>RH support plate</u> , 1/4" alloy, extra life and durability	1
27	65300M	E65300	<u>LH support plate</u> , 1/4" alloy, extra life and durability	1
28	48610M	E48610	<u>Sprocket</u> , chute drive, heat treated teeth	1
29	36839M	AE36839	<u>Coupling sprocket</u> , cutter head shaft	1
29A	31373M	AE31373	<u>Coupling sprocket</u> , 14 tooth for 5400	1
30	35501M	AE35501	<u>Coupling chain</u> , OEM specs, discount priced	1
31	35842M	AE35842	<u>Coupling sprocket</u> , gear box drive, (includes bearings)	1
31A	31373M	AE31373	<u>Sprocket</u> , 14 tooth, only for 5400 w/o clutch	1
32	9865M	JD9865	<u>Needle bearing</u> , OEM specs, discount priced	2
33	53699M	E53699	<u>Seal</u> , OEM specs, discount priced	2
34	49020M	N/A	<u>Cutterhead bearing</u> , with lock collar, 2-7/16"	A/R
35	9307M	N/A	<u>Cutterhead bearing</u> , with lock collar, 2-15/16"	A/R
36	35418M	N/A	<u>Main drive idler arm and cylinder mount</u> , used to tighten cutterhead drive belts	1

AUGERLESS CHUTE AND RELATED PARTS



Item No.	Maize Part No.	Deere Part No.	Description	Qty Req
1	3006816M	N/A	<u>Augerless chute</u> , complete, includes cleanout door, alloy	1
2	3006816MQ	N/A	<u>Mounting bracket</u> , holds chute to blower, stops leakage allows chute to pivot down in front	1
3	48545M	E48545	<u>Strap</u> , helps secure chute to blower	1
4	24H1781M	24H1781	<u>Spacer washer</u> , OEM specs	2
5	3006816MP	N/A	<u>Liner, alloy</u> , wraps inside chute radius to prevent wear to shell, wraps outlet corner, bolt on	1
6	3006816MN	N/A	<u>Extension</u> , front bottom, bolt in	1

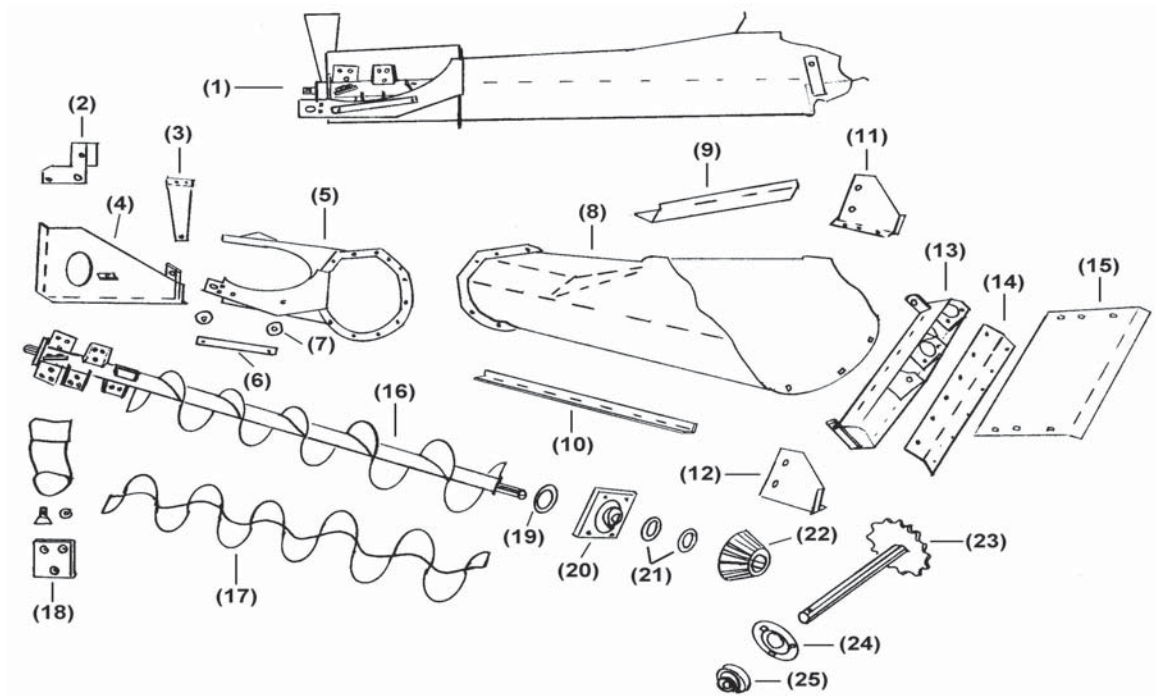
DOUBLE AUGER CHUTE AND RELATED PARTS



Item No.	Maize Part No.	Deere Part No.	Description	Qty Req
1	33741M	AE33741	<u>Auger</u> , with heavy 3/8" flighting with 3/16" bolt on alloy paddle covers installed	1
2	33743M	N/A	<u>Paddle kit</u> , with bolts, 3/16" alloy paddle cover with bolts to extend life of auger, can be installed on OEM augers	1
3	59886M	E59886	<u>Panel, top front</u> , 12 gauge	1
4	56075M	N/A	<u>Panel, top rear</u> , 12 gauge	1
5	56383M	E56383	<u>Panel, outlet, top, rear</u> , 12 gauge	1
6	3006816MQ	N/A	<u>Bracket, right rear mount</u> , 3/16" with extra sealing plate	1
7	50622M	E50622	<u>Bracket, right rear mount</u> , 3/16" with extra sealing plate	3

Item No.	Maize Part No.	Deere Part No.	Description	Qty Req
8	48545M	E48545	<u>Strap</u> , retainer, chute to inside edge of blower wrapper	1
9	24H1781M	N/A	<u>Spacer</u> , fits between 48545M and chute	2
10	48543M	E48543	<u>Reinforcement</u> , outlet, OEM specs	1
11	63908M	E63908	<u>Ramp, bottom rear</u> , 12 gauge AR, long life	1
12	49760M	N/A	<u>Angle mounting bracket</u> , LH, all Maize chutes	1
13	63909M	N/A	<u>Panel, rear</u> , bearing mount 12 gauge AR	1
14	63910M	E63910	<u>Panel, left side</u> , 12 gauge	1
15	63911M	E63911	<u>Panel, floor</u> , 12 gauge	1
16	56079M	E56079	<u>Panel, side, RH</u> , 12 gauge	1
17	49755M	E49755	<u>Panel, side, RH front</u> , 12 gauge	1
18	56549M	E56649	<u>Panel, side, LH front</u> , 12 gauge	1
19	58254M	E58254	<u>Panel, front, RH side</u> , 12 gauge	1
20	58255M	E58255	<u>Panel, front, LH side</u> , 12 gauge	1
21	58313M	E58313	<u>Plate</u> , bottom front, 12 gauge	1
22	52452M	E52452	<u>Plate, filler</u> , 12 gauge	1
23	40530M	AE40530	<u>Housing, drive</u> , OEM specs, fits all double auger chutes	1
24	56067M	E56067	<u>Flangette</u> , bearing	4
25	37997M	AE37997	<u>Drive shaft with sprocket</u> , hardened shaft and heat treated teeth	1
26	63258M	E63258	<u>Gear</u> , auger drive, fits all double auger chutes	4
27	M052266	E64431	<u>Spacer washer</u> , OEM specs, all double auger chutes	A/R
28	50534	E54498	<u>Flangette</u> , bearing, OEM specs, all double auger chutes	6
29	713172	JD9407	<u>Bearing</u> , cross shaft and auger, all double auger chutes	7
30	67112M	N/A	<u>Cover</u> , housing	1

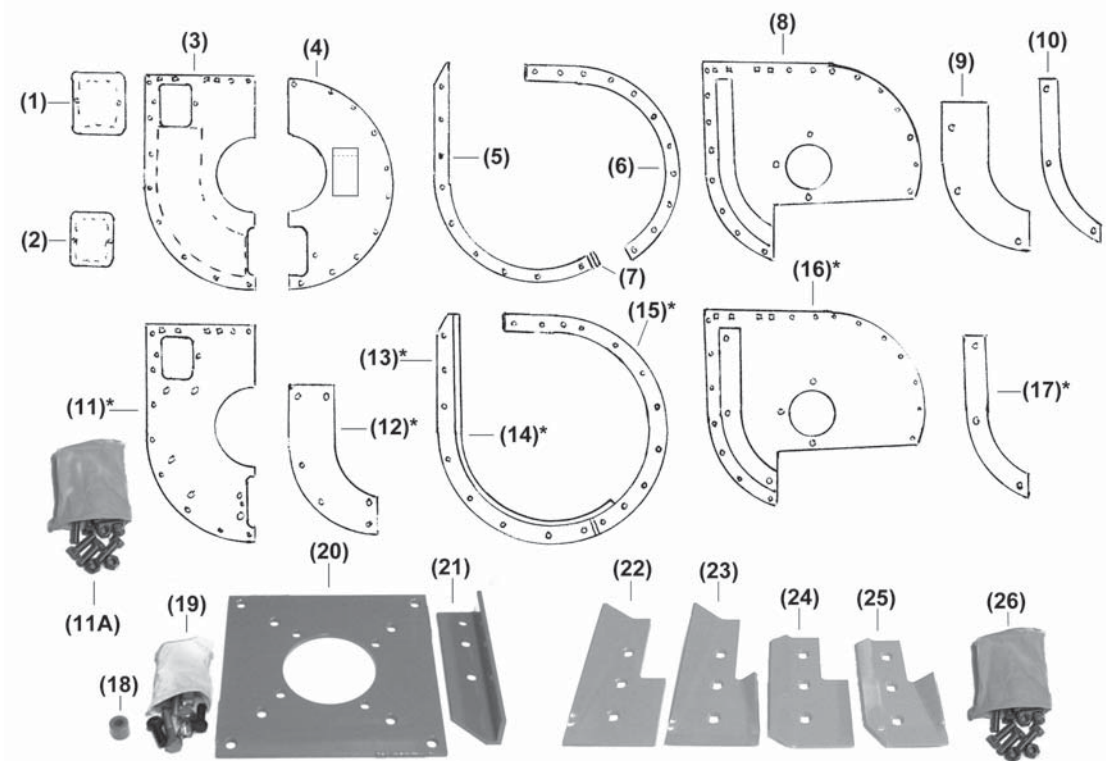
SINGLE AUGER CHUTE AND RELATED PARTS



Item No.	Maize Part No.	Deere Part No.	Description	Qty Req
1	44727M	AE44727	<u>Single auger chute, complete</u> , rounded steel trough	1
2	3006816MQ	N/A	<u>Bracket, chute mount, RH, rear, blower side</u> , has added seal to prevent leakage	1
3	49760M	E49760	<u>Bracket, chute, mount, LH, rear</u>	1
4	43926M	E43926	<u>Plate, rear bearing mount</u> , heavy gauge steel, fits Maize single auger chute	1
5	43928MC	N/A	<u>Outlet chute, alloy</u> , rounded for long life, even feeding to blower, fits Maize single auger chute	1
6	48545M	E48545	<u>Strap</u> , helps to hold chute to blower	1
7	24H1781M	N/A	<u>Spacer washer</u>	1
8	43928MB	N/A	<u>Shell, front, (bottom half AR steel and rounded)</u> for even flow	1
9	43928MQ	N/A	<u>Deflector</u> , protects upper portion of shell (43928M)	1
10	43929M	N/A	<u>Stripper angle</u> , 10 gauge stainless steel, keeps feed low in chute until it gets to paddles in the outlet chute	1

Item No.	Maize Part No.	Deere Part No.	Description	Qty Req
11	71687M	N/A	<u>Panel, LH</u> , 19 gauge material	1
12	71688M	N/A	<u>Panel, RH</u> , 12 gauge material	1
13	43925M	AE43925	<u>Housing, auger drive</u> , heavy duty for longer life	1
14	72528M	E72528	<u>Cover</u> , gears and shaft assembly	1
15	24857M	E24857	<u>Plate</u> , covers housing and extends forward to prevent leakage	1
16	44941M	AE44941	<u>Auger assembly</u> , will fit all single auger chutes , 3/8" heaviest flighting available, 3/16" alloy paddle covers installed, heat treated shafts for extended life, balanced to prevent vibration	1
17	44942M	N/A	<u>Replacement flighting</u> , 3/8" heaviest flighting available	A/R
18	44943M	N/A	<u>Paddle cover kit</u> , alloy cover plate, bolt on, gives extended life and durability	1
19	25242M	CA25242	<u>Washer</u> , spacer	1
20	42460M	AE42460	<u>Bearing</u> , OEM specs	3
21	Y52282	24H1532	<u>Washer</u> , OEM specs	2
22	24430M	CA24430	<u>Gear</u> , OEM specs	2
23	24490M	DA24490	<u>Shaft</u> , with sprockets	1
24	Z51417	H135410	<u>Flangette</u> , bearing	2
25	M714519	AE37057	<u>Bearing</u>	1

BLOWER AND RELATED PARTS



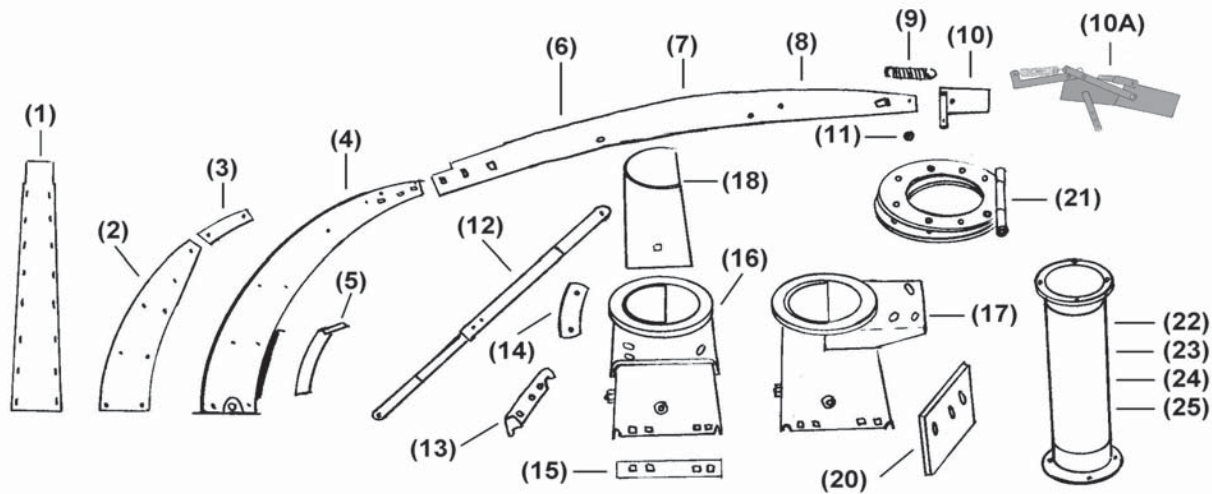
*(#11, 12, 13, 14, 15, 16, 17 - These parts must be replaced as a unit on first installation)

Item No.	Maize Part No.	Deere Part No.	Description	Qty Req
1	45967M	AE45967	<u>Access door, 6" x 7"</u> , alloy lined for extended life and durability	2
2	45968M	N/A	<u>Air vent cover plate</u> , allows you to let in extra air to make blower more efficient	1
3	35950M	AE35950	<u>Outside blower plate, rear half</u> , includes part (35951M) 3/16" alloy liner	1
4	35949M	AE35950	<u>Outlet blower plate, front half</u> , includes air vent	1
5	78174M	AE78174	<u>Wrapper, rear bottom</u> , 1/4" alloy, strongest wrapper available, includes (3) 1/2" plow bolts in place of carriage bolts at transition for smooth material flow	1
6	36535M	AE36535	<u>Wrapper, top front</u> , strongest wrapper available	1
7	53589M	E53589	<u>Spacer plate</u> for wrapper	A/R
8	28998M	N/A	<u>Inside blower plate</u> , 3/16" alloy, includes 3/16" alloy liner installed , part (28999M)	1
9	35951M	N/A	<u>Liner, outside plate</u> , 3/16" alloy extends life of outside plate protects edge of plate and wrapper from wear	1

Item No.	Maize Part No.	Deere Part No.	Description	Qty Req
10	28999M	N/A	<u>Liner, inside plate</u> , 3/16" alloy extends life of inside plate, protects edge of plate and wrapper from wear	1
11*	35950MS	N/A	<u>Plate, outside rear</u> , has holes for liner, includes bolts	1
12*	3009279M	N/A	<u>Liner, outside rear plate</u> , adjustable, bolt on, 3/16" alloy	1
13*	78174MS	N/A	<u>Wrapper, rear, bottom</u> , has holes for replaceable liner, 1/4" alloy	1
14*	3009261M	N/A	<u>Liner, wrapper, rear, bottom</u> , includes bolts 3/16" alloy	1
15*	36535MS	N/A	<u>Wrapper, top, front</u> , has holes for replaceable liner	1
16*	28998MS	N/A	<u>Plate, inside</u>	1
17*	3009287M	N/A	<u>Liner, inside plate</u> , 3/16" alloy welded in after installing wrapper liner	1
18	29167M	N/A	<u>Bushing</u> , spaces bolt head out from angle	4
19	49027MBK	N/A	<u>Bolt kit</u> , angle mounting, tapered wheel bolts to hold angle secure to rotor plate, grade 8	1
20	49027M	N/A	<u>Rotor plate</u> , has hard surface next to angle, beveled bolt holes for wheel bolts and made from cold roll steel to insure straightness, strength and balance	1
21	55571M	N/A	<u>Angle</u> , 2-1/2" x 3" x 3/8" tapered mounting holes	4
22	33650M	N/A	<u>Paddle, long</u> , 5/16" case hardened, heaviest on market	4
23	33650MS	N/A	<u>Paddle, long, special</u> , leading edges of paddles have been formed to give better performance. Creates less wear on wrapper. 5/16" case hardened, fastened with grade 8 plow bolts, row crop	4
24	43278M	N/A	<u>Paddle, short</u> , 5/16" case hardened, heaviest on market	4
25	43278MS	N/A	<u>Paddle, short, special</u> , leading edges of paddles has been formed to give better performance. Creates less wear on wrappers, 5/16" case hardened, fastened with grade 8 plow bolts, alfalfa	4
26	33650MBK	N/A	<u>Bolt kit, paddle to angle</u> , grade 8 Cat® plow bolts	1

You will find that we have added liners to the inside and outside plates. The outside plate has been split so you can access and adjust blower paddles much easier. We use plow bolts to secure the paddle to the arm. Feed flows freely across the top, not wearing the head of the bolt off. The angles are secured to the rotor plate by two tapered wheel bolts. They will not come loose when torqued properly. No more need to weld the angle to the rotor plate.

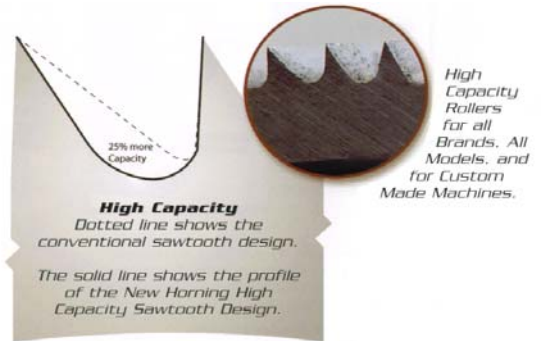
TRANSITION, SPOUT AND RELATED PARTS



Item No.	Maize Part No.	Deere Part No.	Description	Qty Req
1	52445M	N/A	<u>Top alloy liner</u> , 3/16" alloy, toughest liner on the market use on (37331M) spout	1
2	52447M	N/A	<u>Side liner, lower</u> , 10 gauge AR steel, fits (37331M)	2
3	52448M	N/A	<u>Side liner, top</u> , 10 gauge AR steel fits (37331M)	2
4	37331M	N/A	<u>Spout complete</u> , alloy top liner and AR side liners installed	1
5	62112M	N/A	<u>Door</u> , clean out	1
6	37334M	AE37334	<u>66" Horizontal extension</u> , heavy duty, fits Maize spout only	1
7	38645M	AE38645	<u>88" Horizontal extension</u> , heavy duty, fits Maize spout only	1
8	38646M	N/A	<u>118" Horizontal extension</u> , heavy duty, fits Maize spout only	1
9	79396M	E79396	<u>Spring</u> , deflector, OEM specs	1
10	22358M	N/A	<u>Crop deflector</u> , fits Maize spout only	1
10A	3009469M	N/A	<u>Double crop deflector</u> , allows better control of feed while deflector has longer life. Similar to deflectors used on 6000 and 7000 series line	1
11	M6893416	N/A	<u>Pivot bushing</u> , crop deflector	2
12	37335M	AE37335	<u>Brace, spout extension</u> , adjust crop deflector height 8" stabilizes extensions	1
13	81005M	E81005	<u>Strap</u> , transition, covers openings at transition	2
14	58022M	AE58022	<u>Plate, transition</u> , holds spout and gear to transition	4
15	74168M	E74168	<u>Strap, transition</u> , strengthens transition attaching point	2
16	45920M	AE45920	<u>Transition</u> , outlet spout, includes part (45921M) bolt in alloy liner, motor mount rotated 90° to the outside	1

Item No.	Maize Part No.	Deere Part No.	Description	Qty Req
17	45919M	AE45920	<u>Transition</u> , outlet spout, includes part (45921M) bolt in alloy liner, motor mounted located as OEM	1
18	45921M	N/A	<u>Alloy liner</u> , fits Maize transition (45920M) and (45919M) bolts in with three plow bolts	1
19	45922M	N/A	<u>Air cut off plate</u> , adjusts to paddles to force air and material up spout	1
20	45922MS	N/A	<u>Air cut off plate</u> , 5/8" taller to adapt to blowers with liners	1
21	M3006659	N/A	<u>Spout hinge kit</u> , complete with bolts, same hinge we used in early 1970's on Field Queen and New Holland spouts	1
22	37336M	AE37336	<u>10" Vertical extension</u>	A/R
23	37337M	AE37337	<u>20" Vertical extension</u>	A/R
24	37338M	AE37338	<u>40" Vertical extension</u>	A/R
25	37339M	N/A	<u>50" Vertical extension</u>	A/R

KERNAL PROCESSOR ROLLS



Maize
(Deere)
Part No.

Qty
Req

Description

46199M
(AE46199)

1

Sawtooth kernal processor roll, lower

46198M
(AE46198)

1

Sawtooth kernal processor roll, upper (long shaft)

HYDROSTAT PUMP AND MOTOR



Maize
(Deere)
Part No.

Qty
Req

Description

47864MR

1

Hydrostat pump, large port, exchange required, rebuilt by original manufacturer

46792M

1

Hydrostat motor, large port, large shaft (1-3/4"), exchange required, rebuilt by original manufacturer

29477M

1

Hydrostat pump, small port

37599M

1

Hydrostat motor, small port, small shaft (1-1/2")

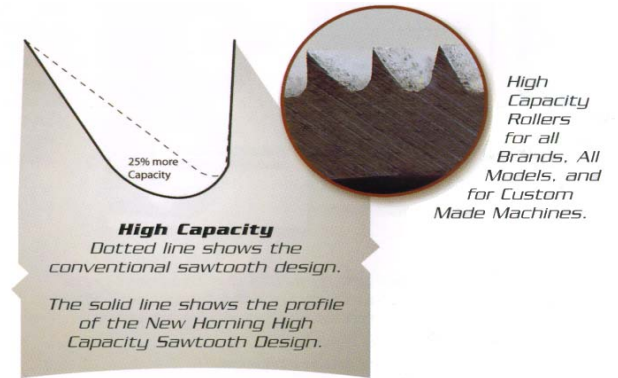
M7072945

1

Hydrostat motor, small port, large shaft (1-3/4")

(We need to know shaft sizes and sizes of main oil ports.)

5000 SERIES



Maize Corporation/Horning Manufacturing saw tooth kernal processor rolls are the most aggressive on the market. They keep the feed moving while they crack the grain to your satisfaction.

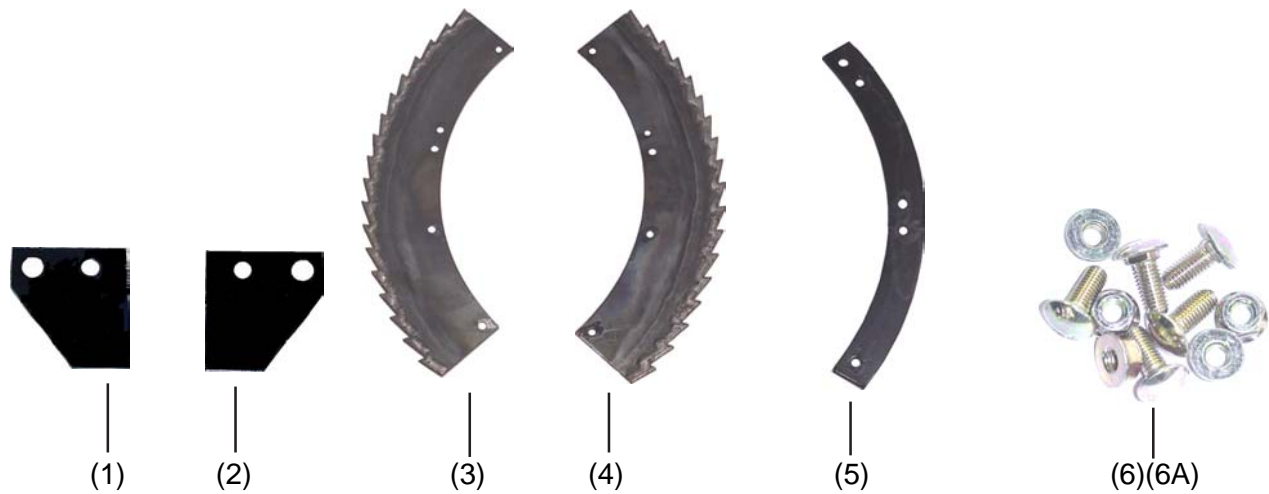


Maize Corporation's moveable wear plates allow you to remove the gap created by wear on the end plates of the lower front feedroll. All of the wear plates located around the feedrolls are made of special alloy to prolong their life. The lower rear wear plates design has been changed to close the gap on the front side of the smooth roll to help prevent material from wedging between the roll and wear plate. Our smooth roll has the outer 2 inches of the roll and the splines heat treated to prolong life.



Install a Maize Corporation blower system with a 15 paddle rotor assembly and you will increase your blower capacity up to 25%. You will also increase your blowing capability (the ability to get the feed to the back of the trailer without dropping half of it out the bottom of spout). Increase the life of your blower by installing one of our super plates with 1/8" hard surfacing in your blower.

KNIVES, CLEANERS AND REINFORCEMENT BARS



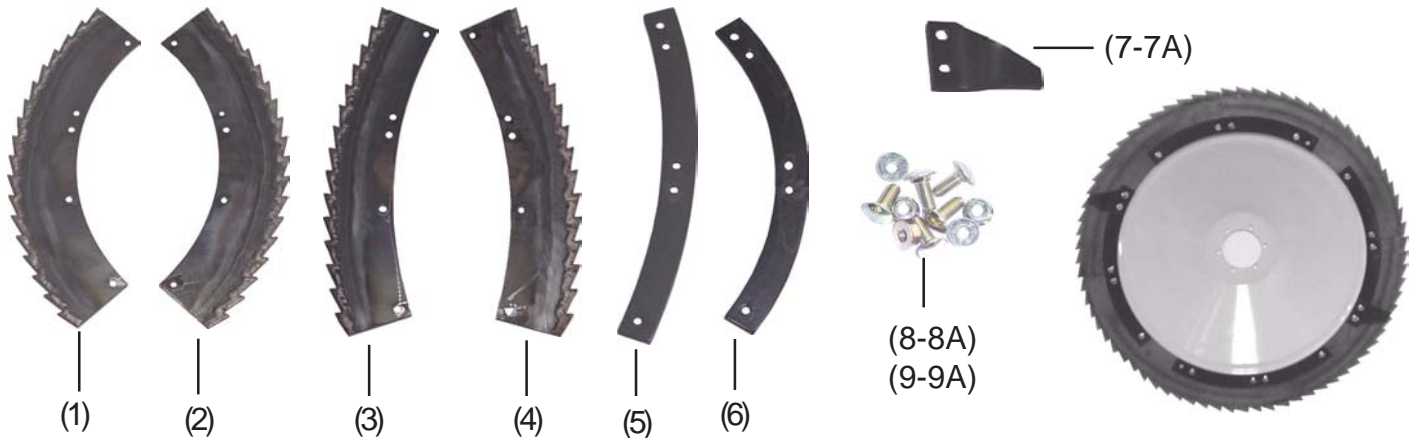
Fit all 684, 686 & 688 Deere® heads and 330, 345, 360 & 6008 Kemper™ heads. Quantities are per drum.

Item No.	Maize Part No.	Deere Part No.	Description	Qty Req Per Drum
1	69805M	69805	<u>Scraper blade, LH</u>	2
2	69806M	69806	<u>Scraper blade, RH</u>	2
3	67746M	67746	<u>Blade, RH, carbon steel with high grade tungsten carbide</u>	4
4	67747M	67747	<u>Blade, LH, high carbon steel with high grade tungsten carbide</u>	4
5	66034M	N/A	<u>Reinforcement bars, mount top of drum, prevents wear and drum cracking</u>	4
6	67746MBK	N/A	<u>Bolt kit, for one drum, without reinforcement bars</u>	1
6A	67746MBKR	N/A	<u>Bolt kit, for one drum, with reinforcement bars</u>	1

The knives, cleanouts and reinforcement bars have been field tested with great success. The knives have a thick layer of hard surfacing, with extra tungsten carbide on them, which will make them wear longer.

The reinforcement bars will help prevent drums from cracking. They should be installed on the top side of the knives. The knives should be installed with the hard surface down.

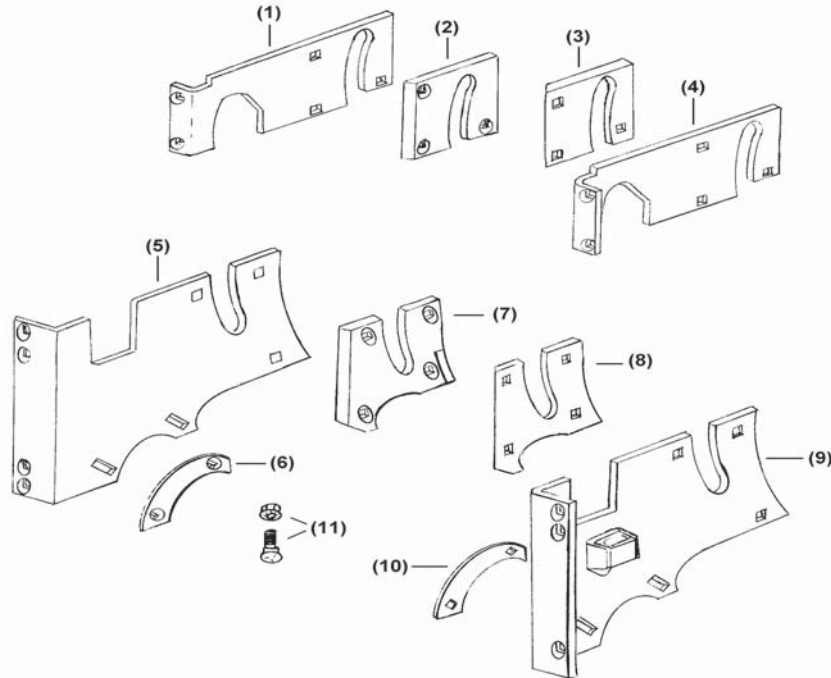
CUT OFF KNIVES FOR KEMPER™ AND DEERE® HEADS



Item No.	Maize Part No.	Deere Part No.	Description	Qty Req
1	66035ML	N/A	<u>Knife, LH</u> , all Kemper™ and Deere® small drums, high carbon steel with high grade tungsten carbide applied to cutting area	4
2	66035MR	N/A	<u>Knife, RH</u> , all Kemper™ and Deere® small drums, high carbon steel with high grade tungsten carbide applied to cutting area	4
3	66037ML	N/A	<u>Knife, LH</u> , all Kemper™ and Deere® large drums, high carbon steel with high grade tungsten carbide applied to cutting area	8
4	66037MR	N/A	<u>Knife, RH</u> , all Kemper™ and Deere® large drums, high carbon steel with high grade tungsten carbide applied to cutting area	8
5	66038M	N/A	<u>Large drum reinforcement bar</u> , easy to install to the bottom side of knives, reinforces part of drum where knives come together	8
6	66036M	N/A	<u>Small drum reinforcement bar</u> , easy to install to the bottom side of knife, reinforces part of drum where knives come together	4
7	M3007345	N/A	<u>Cleaner, RH</u> , high carbon steel, heat treated	2
7A	M3007337	N/A	<u>Cleaner, LH</u> , high carbon steel, heat treated	2
8	3007931M	N/A	<u>Bolt kit</u> , small drum, without reinforcement bar	1
8A	3007949M	N/A	<u>Bolt kit</u> , small drum, with reinforcement bar	1
9	3007915M	N/A	<u>Bolt kit</u> , large drum, without reinforcement bar	1
9A	3007923M	N/A	<u>Bolt kit</u> , large drum, with reinforcement bar	1

These knives, reinforcement bars and cleaners have all been field tested. The knives have a thick layer of hard surfacing, with extra tungsten carbide in them, which will make them wear longer. The reinforcement bars will help the drum from cracking. They need to be installed on the underneath side. The knives should be installed hard surface down. The above units require Maize cleanouts because of clearance needs. Hard surface needs to be down.

FEEDROLL SIDE WEAR PLATES



Item No.	Maize Part No.	Deere Part No.	Description	Qty Req
1	61008M	Z61008	<u>Wear plate, upper, RH, alloy</u> - All 6000/7200-7500	1
2	61010M	Z61010	<u>Wear plate, upper rear, RH, alloy</u> - All 6000/7200-7500	1
3	61011M	Z61011	<u>Wear plate, upper, rear, LH, alloy</u> - All 6000/7200-7500	1
4	61009M	Z61009	<u>Wear plate, upper, LH, alloy</u> - All 6000/7200-7500	1
5	53920M	AZ53920	<u>Wear plate, lower, RH, alloy</u> (includes part #61017M)	1
6	61017M	N/A	<u>Adjustable wear plate, lower front feedroll, RH, alloy</u> All 6000/7200-7500	1
7	68063M	Z68063	<u>Wear plate, lower rear, RH, alloy w/tungsten, use in all units, 6000/7200-7500</u>	1
8	68062M	Z68062	<u>Wear plate, lower rear, LH, alloy w/tungsten, use in all units, 6000/7200-7500</u>	1
9	53919M	AZ53919	<u>Wear plate, lower, LH, alloy</u> (includes part #61016M) All 6000/7200-7500	1
10	61016M	N/A	<u>Adjustable wear plate, lower front feedroll, LH, alloy</u> All 6000/7200-7500	1
11	53920MBK	N/A	<u>Bolt kit, all bolts required to mount wear plates</u> - All 6000, 7200-7500	1

Van Ko Farms
.COM



Dean
641-780-4826

Jamie
641-780-4142

A family owned business that cares about the American Farmer.

Providing sales and service for self propelled forage harvesters and tractors.

www.vankofarms.com

Lancaster Silo Co., Inc.

LSC Equipment

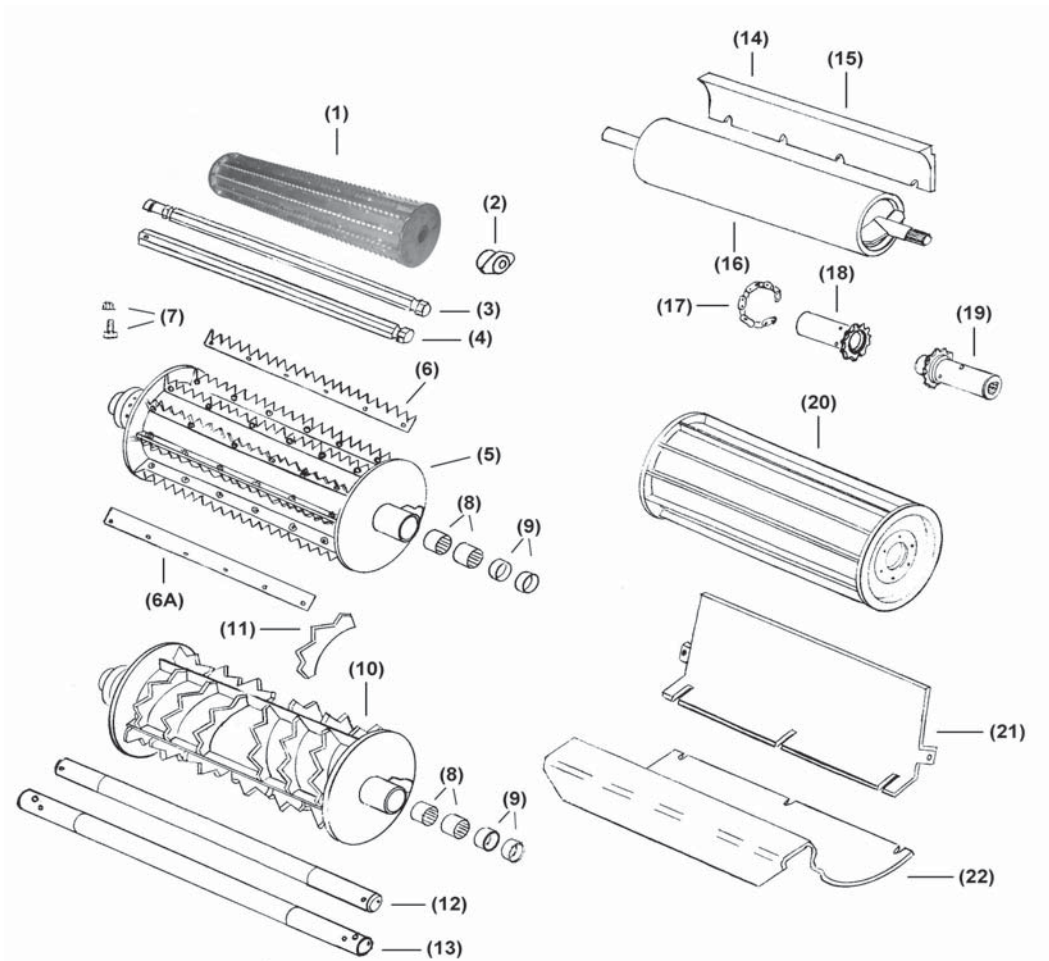
**Forage harvester sales
Forage Header Sales
LSC Hammer Mills
Forage Wagons**

**Over 38 years of knowledge in
the forage industry**

**(717) 299-3721
www.lancastersilo.com**



FEEDROLLS AND RELATED PARTS

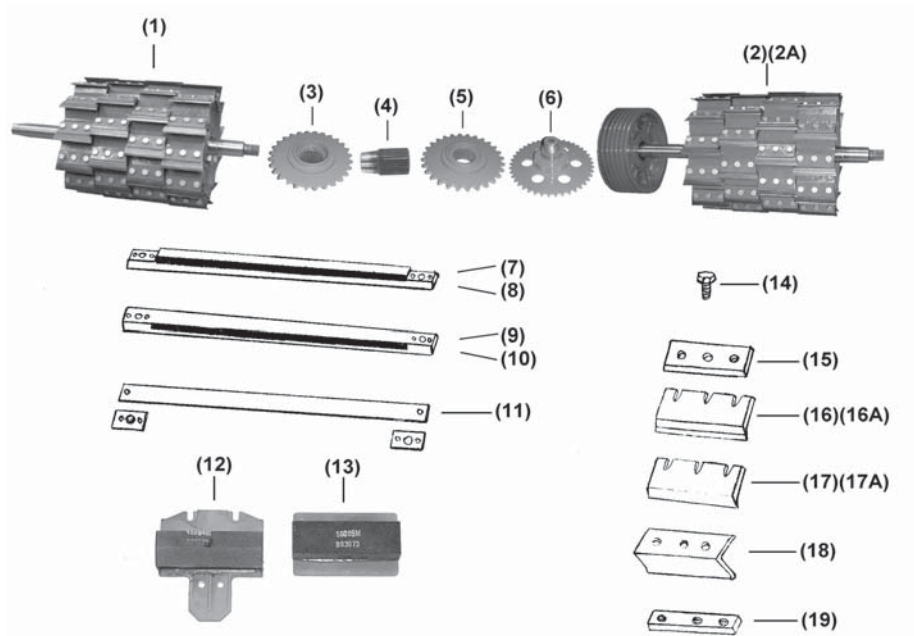


Item No.	Maize Part No.	Deere Part No.	Description	Qty Req
1	51787M	AZ51787	<u>Feedroll, upper rear, stainless steel</u> , more aggressive design - All 6000/7200-7500	1
2	12673M	Z12673	<u>Deflector, feedroll end</u> - All 6000/7200-7500	2
3	81670M	K63862	<u>Shaft, upper rear feedroll, gear drive, 3/16" longer, induction hardened shaft ends</u> - SN 504342 and above replaces #76619M - All 6000/7200-7500	1
4	60516M	Z60516	<u>Shaft, upper rear feedroll, chain drive, induction hardened shaft</u> - SN 504341 and below	1
5	53184M	AZ53185	<u>Feedroll, upper front, straight, replaceable teeth, stainless steel, includes bearings and seals</u> - All 6000/7200-7500	1
6	53186M	N/A	<u>Replaceable tooth, stainless steel, bolt on, Maize straight tooth, serrated tooth</u>	8
6A	53187M	N/A	<u>Replaceable tooth, stainless steel, bolt on, non-serrated</u>	8

<u>Item No.</u>	<u>Maize Part No.</u>	<u>Deere Part No.</u>	<u>Description</u>	<u>Qty Req</u>
7	53184MBK	N/A	<u>Bolt kit</u> , replaceable tooth, upper front feedroll, stainless steel, All 6000/7200-7500	1
8	10108M	JD10108	<u>Needle bearing</u> , upper front feedroll - All 6000/7200-7500	4
9	28870M	AL28870	<u>Seal</u> , upper front feedroll - All 6000/7200-7500	4
10	53185M	AZ53185	<u>Feedroll, upper front</u> , spiral tooth, stainless steel, thicker teeth and side plates, includes bearings and seals All 6000-7200/7500	1
11	53185MJ	N/A	<u>Spiral tooth replacement</u> - All 6000/7200-7500	24
12	61045M	Z61045	<u>Shaft</u> , upper front feedroll, induction hardened shaft ends All 6000	1
13	81671M	Z74062	<u>Shaft</u> , upper front feedroll, induction hardened shaft ends Allows installation of additional springs - All 6000/7200-7500	1
14	13019M	Z13019	<u>Scraper</u> , LR feedroll, use with 1" cutter bar - All early 6000 Series	1
15	12818M	Z12818	<u>Scraper</u> , LR feedroll, tall, for 36mm cutter bar, we recommend using in all 6000 series for better cutter bar clearance 6000/7200-7500	1
16	56217M	AZ56217	<u>Feedroll, lower rear</u> , induction hardened splines, shaft ends and outside 2" of roll , manufactured from special material, longer life - All 6000/7200-7500	1
17	47886M	AZ47886	<u>Chain coupling</u> , lower rear feedroll to gear box drive shaft, heavy duty - All 6000/7200-7500	1
18	51114M	AZ51114	<u>Coupling sprocket</u> , lower feedroll, heat treated All 6000/7200-7500	1
19	51115M	AZ51115	<u>Coupling sprocket</u> , gear box drive shaft to lower rear feedroll, heat treated - All 6000/7200-7500	1
20	50090M	AZ50090	<u>Feedroll</u> , lower front, stainless steel, cross bars are thicker and deeper for longer life - All 6000/7200-7500	1
21	50086M	AZ50086	<u>Pan</u> , rear, lower feedroll - All 6000/7200-7500	1
22	63659M	Z63659	<u>Pan</u> , front, lower feedroll - All 6000/7200-7500	1

(We guarantee all our parts to fit and to bolt up.)

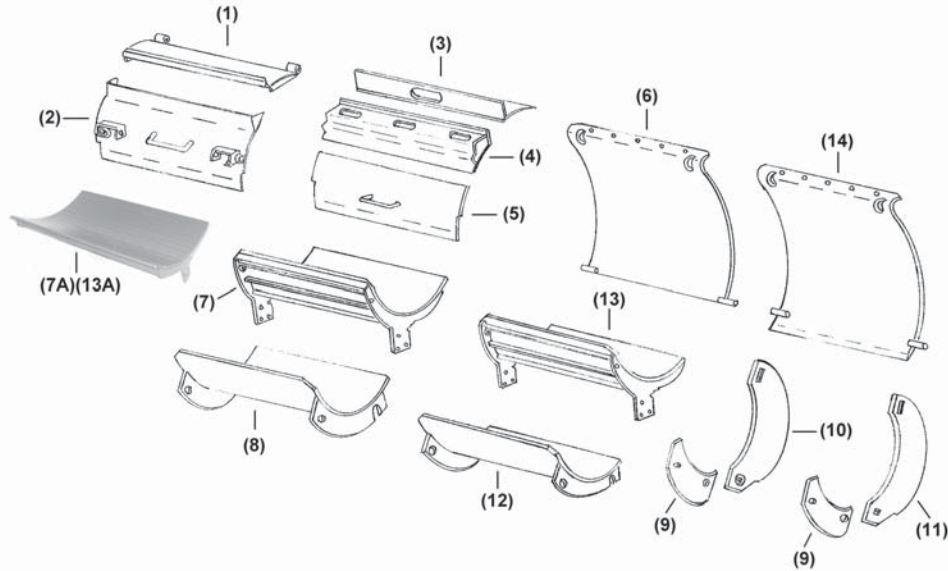
CUTTER HEAD AND RELATED PARTS



Item No.	Maize Part No.	Deere Part No.	Description	Qty Req
1	57053M	AZ57053	<p><u>48 Knife cutter head</u> with tapered or straight shaft. It has 3/4" end plates with two 1/2" plates inside the drum, all knife mounts are supported to prevent cracking.</p> <p>Add tungsten carbide to the face of the knife mount angle 1/16" x 1-1/4"</p> <p>Add tungsten carbide to complete face of the knife mount angle</p> <p>Add 63136MS super corn knife with extra tungsten</p> <p>Add 69500M super grass knife with extra tungsten</p> <p>Add heavy duty 6 groove pulley with taper lock hub</p> <p>Add heavy duty 7 groove pulley with taper lock hub</p>	1
2	57054M	AZ57054	<p><u>40 Knife cutter head</u> with tapered or straight shaft. It has 3/4" end plates with two 1/2" plates inside the drum. All knife mounts are supported to prevent cracking.</p> <p>Add tungsten carbide to the face of the knife mount angle 1/16" x 1-1/4"</p> <p>Add tungsten carbide to complete face of mount</p> <p>Add 63136MS super corn knife with extra tungsten</p> <p>Add 69500M super grass knife with extra tungsten</p> <p>Add heavy duty 6 groove pulley with taper lock hub</p> <p>Add heavy duty 7 groove pulley with taper lock hub</p>	1

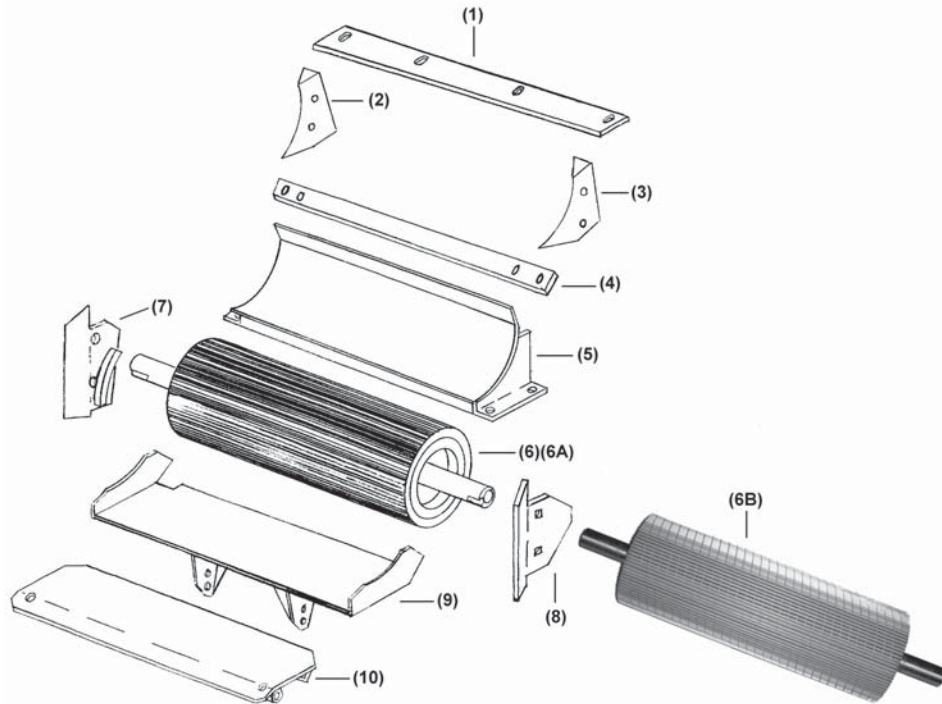
Item No.	Maize Part No.	Deere Part No.	Description	Qty Req
2A	57052M	N/A	<u>32 Knife cutter head</u> with tapered or straight shaft. It has 3/4" end plates with two 1/2" plates inside the drum to prevent cracking of the drum center. Add tungsten carbide on complete face of knife mount angle Add 63136MS super corn knife with extra tungsten Add 69500M super grass knife with extra tungsten Add heavy duty 6 groove pulley (12937M) with taper lock hub Add heavy duty 7 groove pulley (12542M) with taper lock hub	1
3	43581M	AZ43581	<u>Coupling sprocket</u> , 28 tooth for straight splined cutter hd shaft	1
4	71387M	AZ71139	<u>Tapered/splined shaft</u> , coupling, heat treated, used on cutter head shaft w/o spline, late 6850 and 7000 series	1
5	64796M	AZ64796	<u>Coupling sprocket</u> , 28 tooth for shafts w/o straight shaft spline used with part no. 71387M, installed	1
6	101898M	AZ101898	<u>Coupling sprocket</u> , 42 tooth, to be used with larger heads, bolts directly to cutter head shaft w/o spline	1
7	53905M	AZ53905	<u>Cutter bar, grass</u> , 36mm, heat treated, tungsten carbide SN 504342 and above - 6650-6950/7200-7500	1
8	53906M	AZ53906	<u>Cutter bar, corn</u> , 36mm, heat treated, tungsten carbide SN 504342 and above - 6650-6950/7200-7500	1
9	47613M	AZ47613	<u>Cutter bar, grass</u> , 1" thick, heat treated, tungsten carbide	1
10	47614M	AZ47614	<u>Cutter bar, corn</u> , 1" thick, heat treated, tungsten carbide	1
11	49449M	AZ49449	<u>Wear kit</u> , cutter bar - All 6000/7200-7500	1
12	53747M	AZ53747	<u>Sharpening stone</u> , SN 504991 and below - Early 6950	1
13	56005M	AZ56626	<u>Sharpening stone</u> , SN 504992 and above - Late 6950, 7200-7500, Guaranteed quality	1
14	69650M	Z69650	<u>Knife bolt</u> , wide head, metric grade 12.9, strongest bolt on the market - All 6000/7200-7500	120/144
15	60535M	Z60535	<u>Top strap</u> , 1/4" heat treated - 6000/7200-7500	32/40/48
16	63136M	Z63136	<u>Corn knife</u> , heat treated, tungsten carbide - 6000 7200-7500	32/40/48
16A	63136MS	Z63136	<u>Super corn knife</u> , heat treated, thicker and higher grade of tungsten carbide than others - All 6000/7200-7500	32/40/48
17	69500M	N/A	<u>Grass knife</u> , 3/8" longer, will have more contact with knife mount bracket front to rear - 6000/7200-7500	32/40/48
17A	69500MS	N/A	<u>Super grass knife</u> , 3/8" longer, tungsten carbide, longer life	32/40/48
18	49624M	Z49624	<u>Knife mount angle</u> - 6000/7200-7500	A/R
19	71196M	Z71196	<u>Nut, knife bolt</u> , cold roll steel, heat treated-6000/7200-7500	32/40/48

CUTTER HEAD LIDS, PANS AND RELATED PARTS



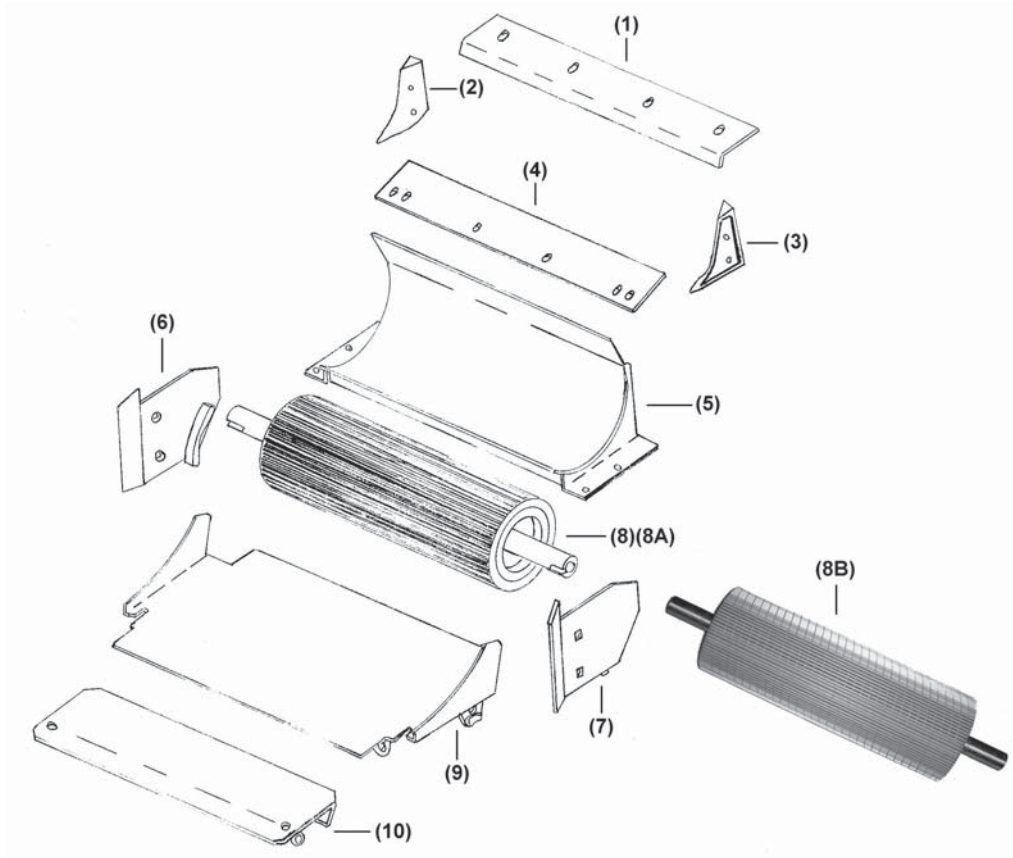
Item No.	Maize Part No.	Part No.	Description	Qty Req
1	54323M	AZ54323	<u>Cover, upper rear</u> , cutter head, SN 504342 and above 6000/7200-7500	1
2	54310M	AZ54310	<u>Cover upper front</u> , cutter head, SN 504342 and above 6000/7200-7500	1
3	39714M	AZ39714	<u>Cover, upper rear</u> , cutter head, SN 504341 and below	1
4	47099M	AZ47099	<u>Cover, upper center</u> , cutter head, SN 504341 and below	1
5	45119M	AZ45119	<u>Cover, upper front</u> , cutter head, SN 504341 and below	1
6	52676M	AZ52676	<u>Cover, rear</u> , cutter head - All 6000	1
7	54153M	AZ54153	<u>Pan, under cutter head</u> , standard, All 6000	1
7A	54153MS	N/A	<u>Pan, under cutter head</u> , special 1/8" hard surfacing	1
8	48917M	AZ48917	<u>Pan, under cutter head</u> , All 6000	1
9	72502M	Z72502	<u>Wear plate</u> , behind cutter bar, All 6000/7200-7500	2
10	75383M	Z75383	<u>Wear plate</u> , rear, RH, All 6000, 7200-7500	1
11	75383M	Z75383	<u>Wear plate</u> , rear, LH, All 6000, 7200-7500	1
12	63221M	AZ63221	<u>Pan, under cutter head</u> , 7200-7500	1
13	62425M	AZ62425	<u>Pan, under cutter head</u> , 7200-7500	1
13A	62425MS	N/A	<u>Pan, under cutter head</u> , special 1/8" hard surfacing	1
14	57245M	AZ57245	<u>Cover, rear cutter head</u> , 7200-7500	1

6000 SERIES KERNAL PROCESSOR ROLLS AND RELATED PARTS



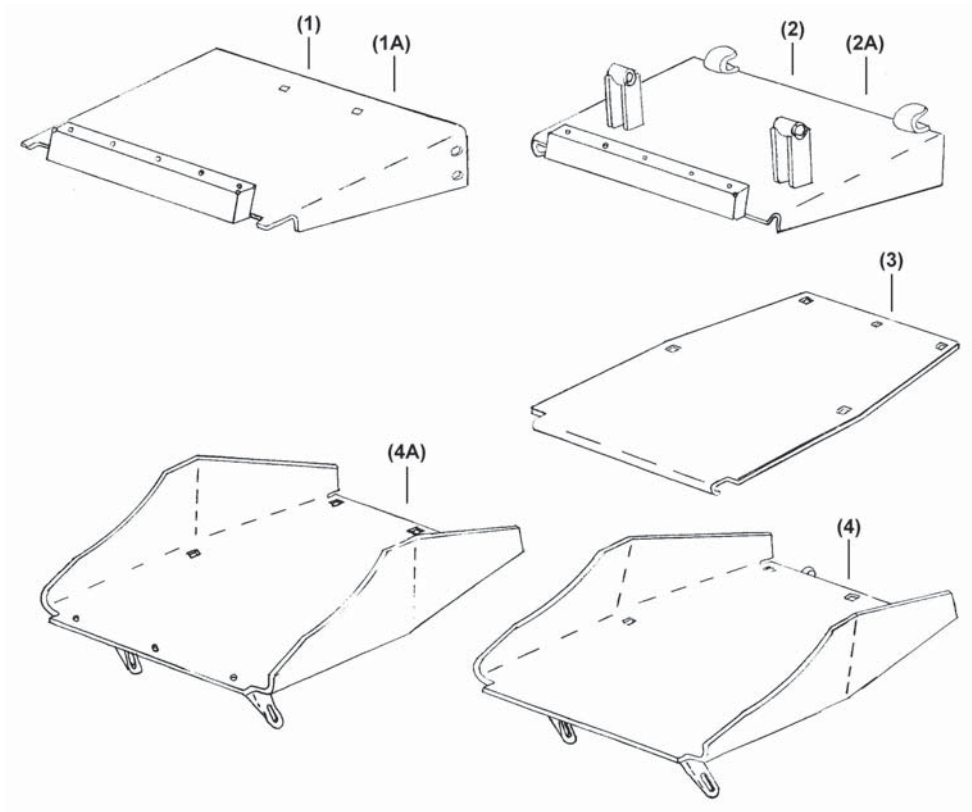
Item No.	Maize Part No.	Deere Part No.	Description	Qty Req
1	49938M	Z49938	<u>Deflector</u> , upper rear, All 6000	1
2	12739M	Z12739	<u>Deflector</u> , upper roll, rear, RH, All 6000	1
3	12738M	Z12738	<u>Deflector</u> , upper roll, rear, LH, All 6000	1
4	62347M	Z62347	<u>Deflector</u> , bottom rear, All 6000	1
5	39644M	AZ39644	<u>Pan</u> , 1/4" special alloy - All 6000	1
6	54512M	AZ54512	<u>Crimper roll</u> , deep saw tooth , more aggressive, taper lock hubs - All 6000	2
6A	54513M	AZ54513	<u>Crimper roll</u> , milo, sorghum, Horning processor roll	2
6B	54512MS	N/A	<u>Crimper roll</u> , saw tooth, spiral cut	2
7	50473M	AZ50473	<u>Deflector</u> , front, RH, All 6000	1
8	50472M	AZ50472	<u>Deflector</u> , front, LH, All 6000	1
9	50434M	AZ50434	<u>Pan</u> , All 6000	1
10	48919M	AZ48919	<u>Deflector</u> , All 6000	1

7200 - 7500 KERNAL PROCESSOR



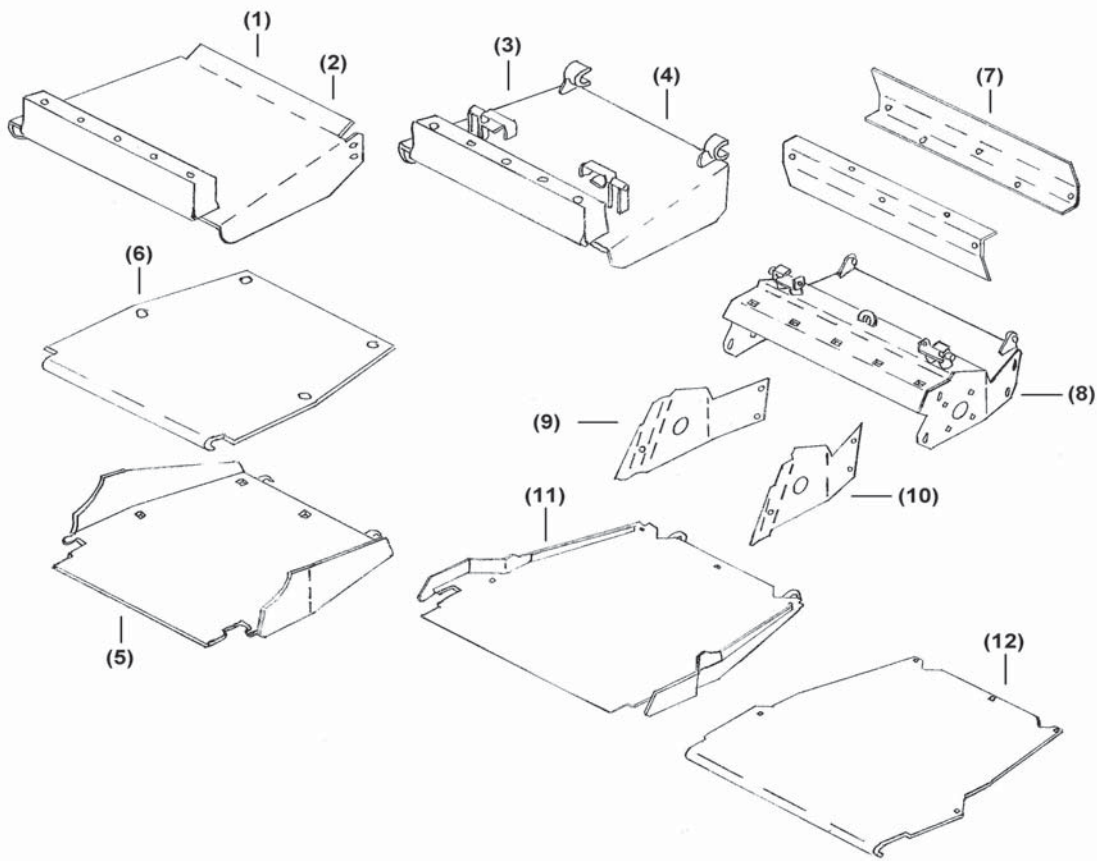
Item No.	Maize Part No.	Deere Part No.	Description	Qty Req
1	73234M	Z73234	<u>Deflector</u> upper rear	1
2	13283M	Z13283	<u>Deflector</u> , RH	1
3	13282M	Z13282	<u>Deflector</u> , LH	1
4	73233M	Z73233	<u>Deflector</u>	1
5	55165M	AZ55165	<u>Cover</u>	1
6	55155M	AZ55155	<u>Wear plate</u> , RH	1
7	55154M	AZ55154	<u>Wear plate</u> , LH	1
8	54512M	AZ54512	<u>Crimper roll</u> , saw tooth, special open design, more capacity	2
8A	54513M	AZ54513	<u>Crimper roll</u> , sorghum, milo, Horning kernel processor	2
8B	54512MS	N/A	<u>Crimper roll</u> , saw tooth, spiral cut	2
9	55161M	AZ55161	<u>Chute</u>	1
10	48919M	AZ48919	<u>Deflector</u>	1

6000 SERIES CHUTES BEHIND CUTTER HEAD



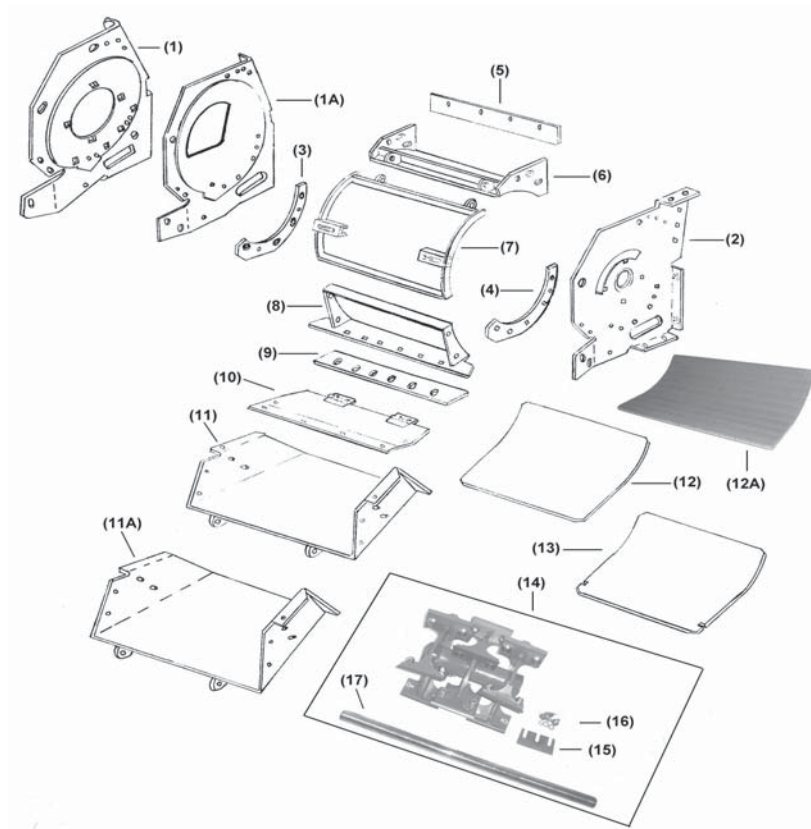
<u>Item No.</u>	<u>Maize Part No.</u>	<u>Deere Part No.</u>	<u>Description</u>	<u>Qty Req</u>
1	61182M	Z61182	<u>Chute, upper front, w/o processor - All 6000 Series</u>	1
1A	62085M	Z62085	<u>Chute, upper front, w/o processor, stainless steel, All 6000 Series</u>	1
2	50457M	AZ50457	<u>Chute, upper front, with processor, All 6000 Series</u>	1
2A	51012M	AZ51012	<u>Chute, upper front, with processor, stainless steel, All 6000 Series</u>	1
3	66289M	Z66289	<u>Liner, lower chute, stainless steel - All 6000 Series</u>	1
4	52395M	AZ52395	<u>Chute, lower, All 6000 Series</u>	1
4A	63188M	AZ63188	<u>Chute, lower, new style, lower to axle and provides wider opening to help prevent plugging at front of blower in hay crops - All 6000 Series</u>	1

7200 - 7500 BLOWER CHUTES



Item No.	Maize Part No.	Deere Part No.	Description	Qty Req
1	71742M	Z71742	<u>Chute</u> , steel, w/o KP installed	1
2	78650M	Z78650	<u>Chute</u> , stainless, w/o KP installed	1
3	57329M	AZ57329	<u>Chute</u> , steel, with KP installed	1
4	63827M	AZ63827	<u>Chute</u> , stainless, with KP installed	1
5	65662M	AZ65662	<u>Chute</u> , w/o power chute	1
6	78611M	Z78611	<u>Liner</u> , stainless, w/o power chute	1
7	77747M	Z77747	<u>Paddle</u>	4
8	59964M	AZ59964	<u>Housing</u> , power chute	1
9	75429M	Z75429	<u>Side plate</u> , RH	1
10	75428M	Z75428	<u>Side plate</u> , LH	1
11	71138M	AZ71138	<u>Chute</u> , used with power chute	1
12	71138ML	N/A	<u>Liner</u> , stainless, for 71138M	1

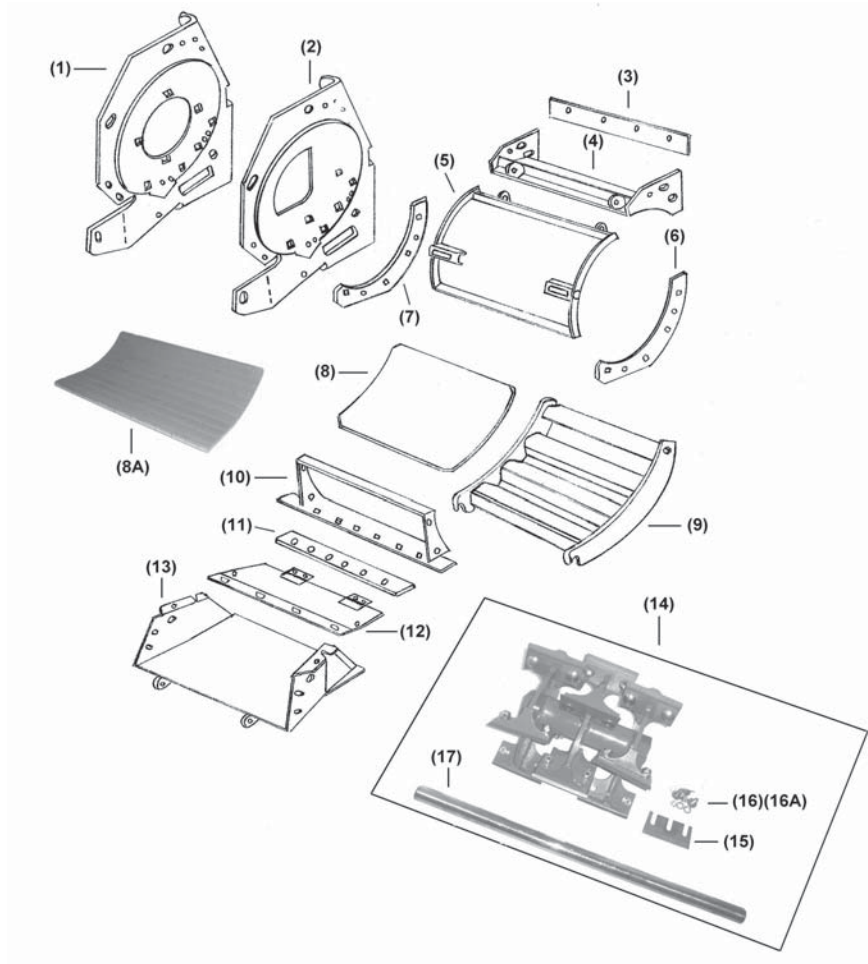
6000 SERIES 12 & 15 PADDLE BLOWER AND RELATED PARTS



Item No.	Maize Part No.	Deere Part No.	Description	Qty Req
1	53806M	AZ53806	<u>Sidewall</u> , RH blower housing, standard as OEM	1
1A	51728M		<u>Sidewall</u> , RH blower housing, guaranteed to increase airflow into blower over all other designs when used with our 15 paddle blower	1
2	51727M	AZ51727	<u>Sidewall</u> , LH blower housing, will increase airflow when used with our 15 paddle blower	1
3	62372M	Z62372	<u>Support bracket</u> , RH blower pan, special 1/4" alloy, quick change	1
4	62966M	Z62966	<u>Support bracket</u> , LH, blower pan, special 1/4" alloy, quick change	1
5	55782M	Z55782	<u>Deflector</u> , top rear, blower, special 1/4" alloy, beveled to cut material off of blower	1
6	43828M	AZ43828	<u>Cover</u> , top rear, blower	1

<u>Item No.</u>	<u>Maize Part No.</u>	<u>Deere Part No.</u>	<u>Description</u>	<u>Qty Req</u>
7	46608M	AZ46608	<u>Lid, blower</u>	1
8	50114M	AZ50114	<u>Cover, lower front</u>	1
9	63149M	Z63149	<u>Deflector, lower front, special AR plate</u>	1
10	47085M	AZ47085	<u>Lid with stainless steel hinge, lower front</u>	1
11	47885M	AZ47885	<u>Chute, lower front</u>	1
11A	63189M	AZ63189	<u>Chute, lower front of blower, new style, lower to axle</u> provides wider opening to help prevent plugging at front of blower in hay crops, for early units, alloy	1
12	64776M	Z64776	<u>Blower bottom, quick change, 6000 series</u>	1
12A	64776MS	N/A	<u>Blower bottom, quick change, special 1/8" hard surface</u>	1
13	58148M	Z58148	<u>Blower bottom, early series</u>	1
14	3007410M	N/A	<u>Rotor assembly, 15 paddle blower, complete, guaranteed to increase your blowing capacity even in the toughest material.</u>	1
15	72898M	Z72898	<u>Blade, blower paddle</u>	12
16	51889MBK	N/A	<u>Paddle bolt kit, blower 15 paddle</u>	1
17	65324M	Z77916	<u>Shaft, blower rotor</u>	1

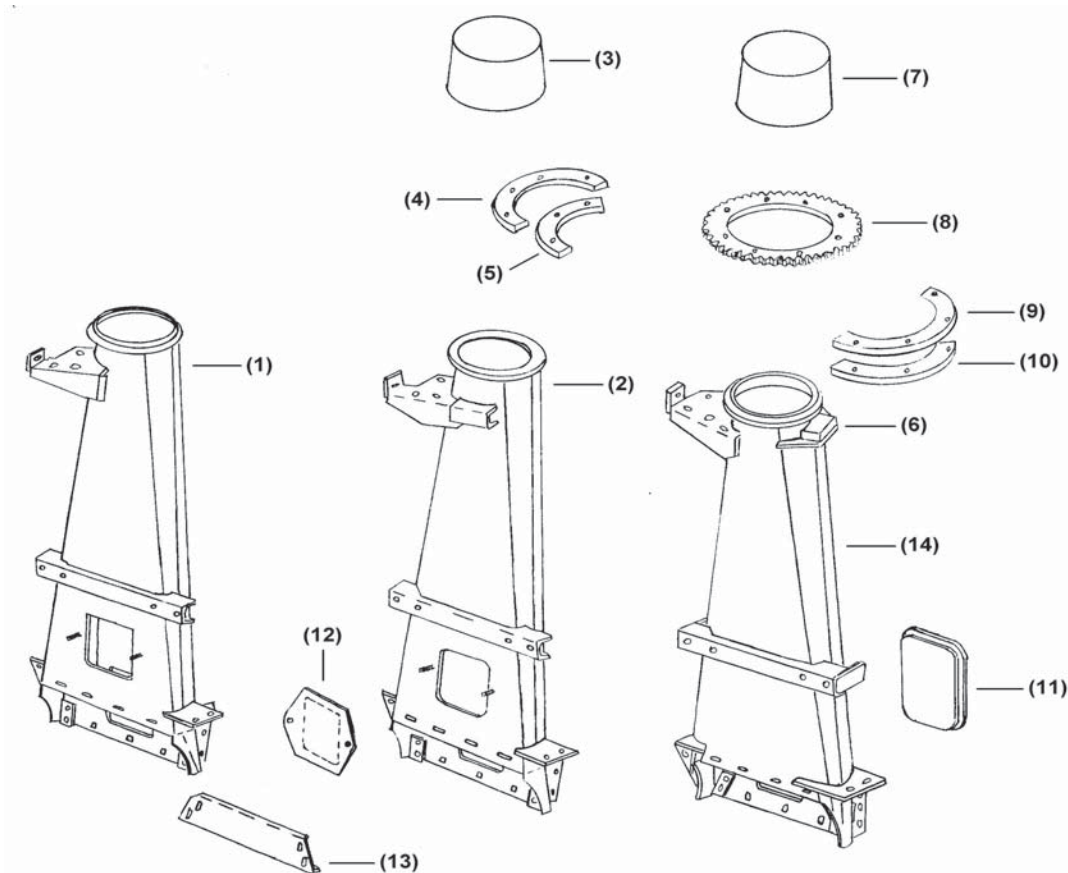
7200 - 7500 BLOWER ASSEMBLY



Item No.	Maize Part No.	Deere Part No.	Description	Qty Req
1	53154M	AZ53154	<u>Side panel, RH, alloy liner</u>	1
2	53155M	AZ53155	<u>Side panel, RH, more blower power, alloy liner</u>	1
3	55782M	Z55782	<u>Deflector, top rear, beveled to cut material off blower, alloy</u>	1
4	43828M	AZ43828	<u>Cover, top rear, AR</u>	1
5	46608M	AZ46608	<u>Lid, blower, AR</u>	1
6	67030M	Z67030	<u>Support bracket, LH, alloy</u>	1
7	67031M	Z67031	<u>Support bracket, RH, alloy</u>	1
8	67208M	Z67208	<u>Blower bottom, alloy</u>	1
8A	67208MS	N/A	<u>Blower bottom, 1/8" hard surface</u>	1
9	53152M	AZ53152	<u>Frame, blower bottom</u>	1

<u>Item No.</u>	<u>Maize Part No.</u>	<u>Deere Part No.</u>	<u>Description</u>	<u>Qty Req</u>
10	55604M	AZ55604	<u>Cover</u> , lower front	1
11	73303M	Z73303	<u>Deflector</u> , lower front, AR Steel	1
12	55609ML	AZ55609	<u>Lid</u> , lower front, stainless steel hinges	1
13	55555M	AZ55555	<u>Chute</u> , blower inlet	1
14	3007410M	N/A	<u>Rotor assembly, 15 paddle</u> , complete, rotor shaft paddles and hardware - fits 6000/7200-7500	1
15	72898M	Z72898	<u>Blade</u> , blower paddle	12
16	51888MBK	N/A	<u>Paddle bolt kit</u> , blower, 12 paddle	1
17	51889MBK	N/A	<u>Paddle bolt kit</u> , blower, 15 paddle	1
17A	65324M	Z77916	<u>Shaft</u> , blower rotor	1

DISCHARGE CHUTES AND RELATED PARTS



<u>Item No.</u>	<u>Maize Part No.</u>	<u>Deere Part No.</u>	<u>Description</u>	<u>Qty Req</u>
1	56941M	Z56941	<u>Discharge chute, 200° rotation</u> - now with alloy liner, lower front, to protect bolt heads & extend chute life hard surface on lower high wear area	1
2	42610M	AZ42610	<u>Discharge chute, alloy, 180° rotation</u> - 6610 through 6910 hard surface on lower high wear area	1
3	51492MC	N/A	<u>Liner, spout pivot bracket, 200mm alloy</u>	1
4	49618M	Z49618	<u>Ring bracket, 200mm</u> - All 6000	2
5	58116M	Z58116	<u>Stop strap, lower, 200mm</u> - All 6000	1
6	55314M	AZ55314	<u>Discharge chute, 250mm</u> , now with alloy liner, lower front, to protect bolt heads and extend chute life, hard surface lower high wear area	1
7	54264MC	AZ54264	<u>Liner, spout pivot bracket, 250mm</u> - All 6000/7200-7500	1
8	67194M	Z67194M	<u>Gear, 250mm</u> - All 6000/7200-7500	1

<u>Item No.</u>	<u>Maize Part No.</u>	<u>Deere Part No.</u>	<u>Description</u>	<u>Qty Req</u>
9	67197M	Z67197	<u>Ring, 250mm alloy</u> - All 6000/7200-7500	2
10	67196M	Z67196	<u>Strap lower, 250mm alloy</u> - SN 504342 and above All 6000/7200-7500	1
11	20713M	Z20713	<u>Cover, 250mm, alloy liner</u> - SN 504342 and above All 6000/7200-7500	1
12	43830M	AZ43830	<u>Cover, 200mm, alloy liner</u> - All 6000	2
13	60500M	Z60500	<u>Wear cover,</u> rear discharge chute - All 6000/7200-7500	1
14	71964M	AZ71964	<u>Discharge chute,</u> 250mm alloy chute with alloy liner lower front to protect bolt heads and extend chute life, lower inside hard surfaced to extend life 7200-7500	1

MAIZE CORPORATION

Big Square Baler Sales and Service

Specializing in Hesston® Large Square Balers

Providing Quality Replacement Parts

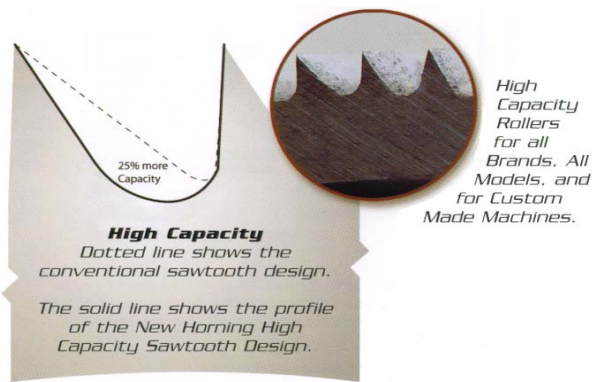
Large Inventory of Big Baler Parts

(888) 722-8710



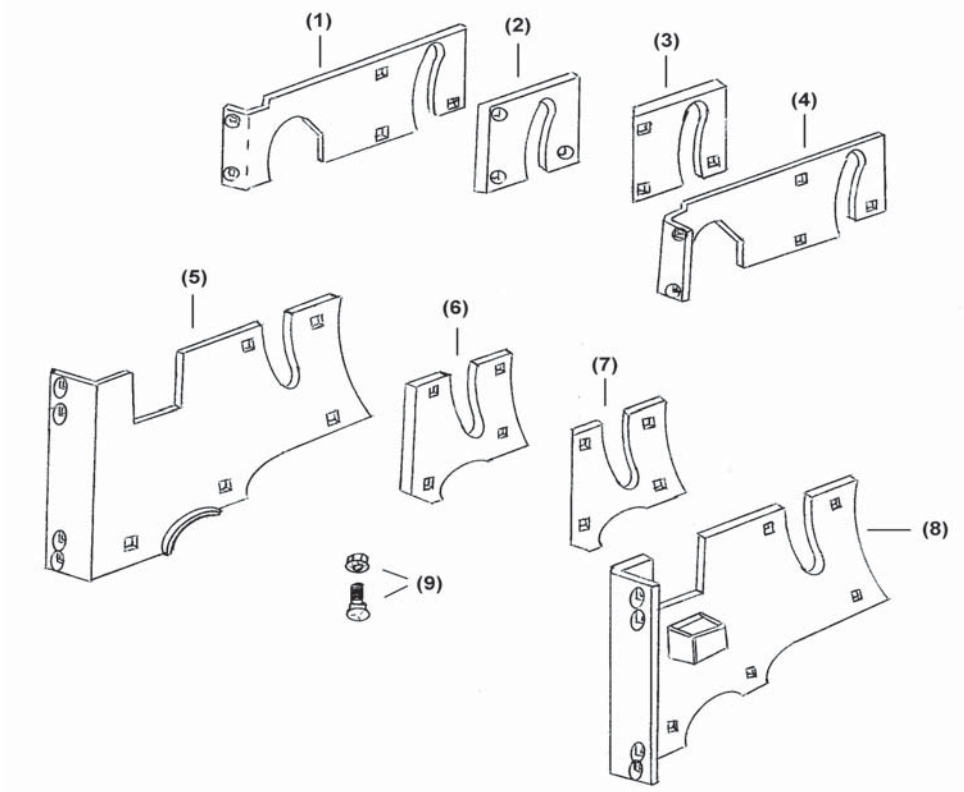


Maize Corporation saw tooth kernal processor rolls are the most aggressive on the market. They keep the feed moving while they crack the grain to your satisfaction.



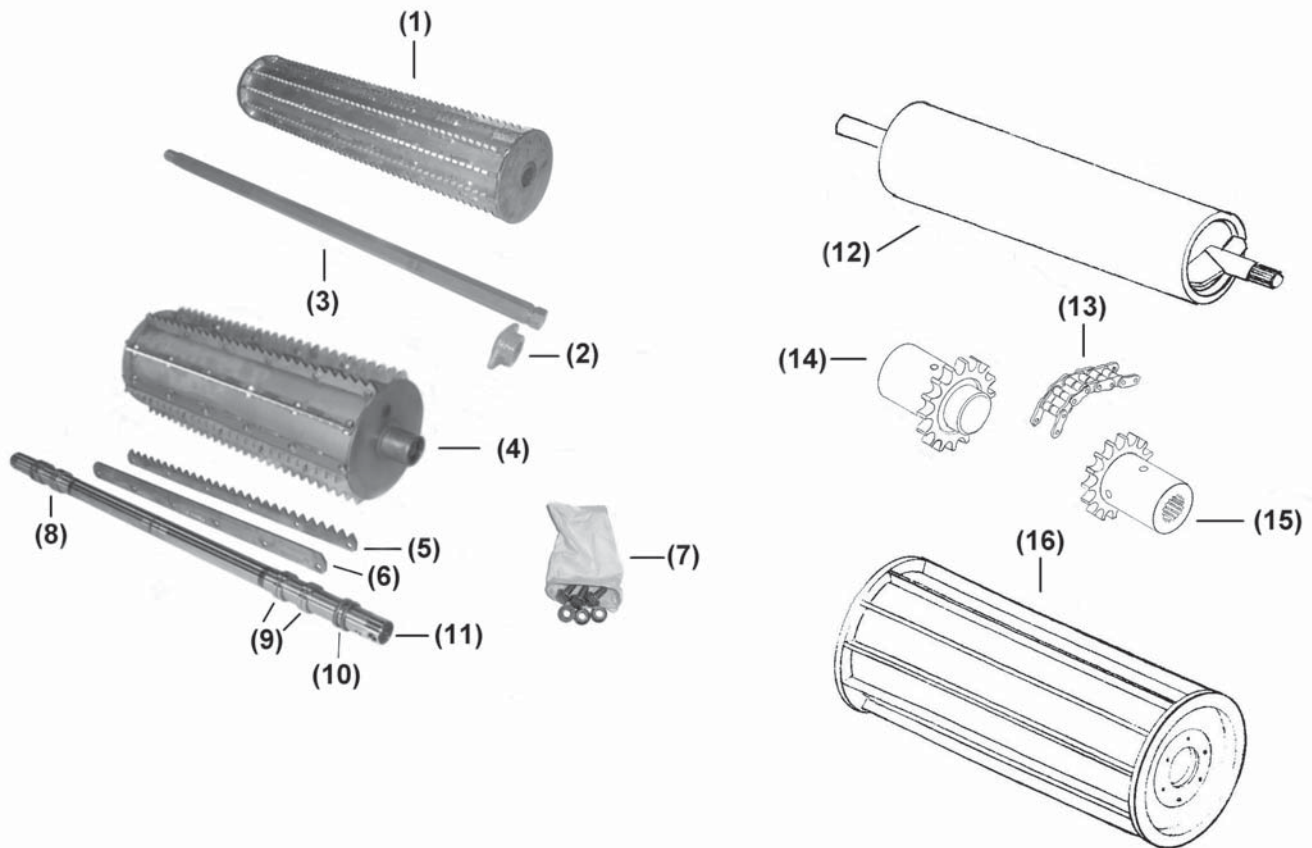
The spiral plate 58229MS has the same 1/8" chromium carbide hardfacing. This is a quality inlaid hardfaced plate. Extends the life and decreases your down time.

FEEDROLL SIDE WEAR PLATES



<u>Item No.</u>	<u>Maize Part No.</u>	<u>Deere Part No.</u>	<u>Description</u>	<u>Qty Req</u>
1	61008M	Z61008	<u>Wear plate, upper, RH, alloy</u>	1
2	61010M	Z61010	<u>Wear plate, upper rear, RH, alloy</u>	1
3	61011M	Z61011	<u>Wear plate, upper, rear, LH, alloy</u>	1
4	61009M	Z61009	<u>Wear plate, upper, LH, alloy</u>	1
5	100686M	AZ100686	<u>Wear plate, lower, RH, alloy</u>	1
6	68063M	Z68063	<u>Wear plate, lower rear, RH, alloy w/tungsten</u>	1
7	68062M	Z68062	<u>Wear plate, lower rear, LH, alloy w/tungsten</u>	1
8	100685M	AZ100685	<u>Wear plate, lower, LH, alloy</u>	1
9	97004MBK	N/A	<u>Bolt kit, all bolts required to mount wear plates</u>	1

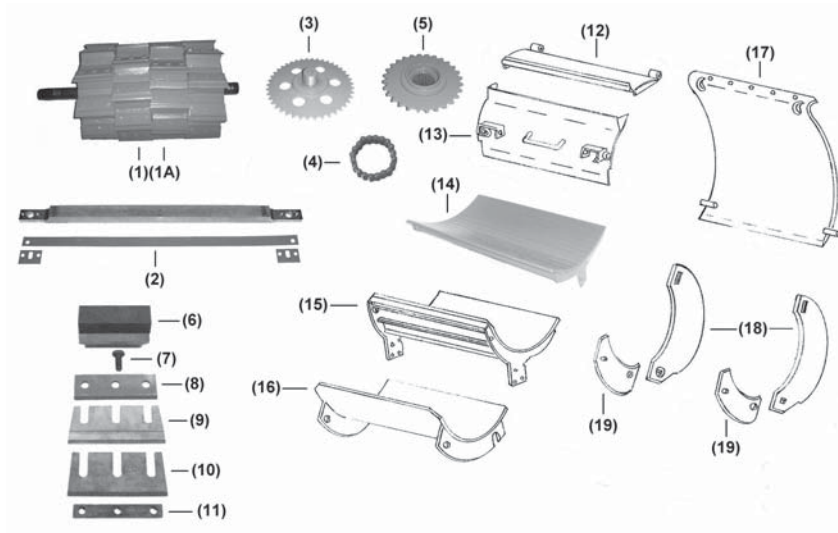
FEEDROLLS AND RELATED PARTS



<u>Item No.</u>	<u>Maize Part No.</u>	<u>Deere Part No.</u>	<u>Description</u>	<u>Qty Req</u>
1	57147M	AZ57147	<u>Feedroll, upper rear, stainless steel</u> , more aggressive design	1
2	12673M	Z12673	<u>Deflector, feedroll end</u>	2
3	81669M	Z81669	<u>Shaft, upper rear feedroll, induction hardened shaft ends</u>	1
4	101012M	AZ101012	<u>Feedroll, upper front, straight</u> , replaceable teeth, stainless steel, includes bearings and seals	1
5	74274M	Z74274	<u>Replaceable tooth</u> , stainless steel, bolt on, Maize straight serrated tooth	8
6	79099M	Z79099	<u>Replaceable bar</u> , stainless steel, bolt on, non-serrated	8

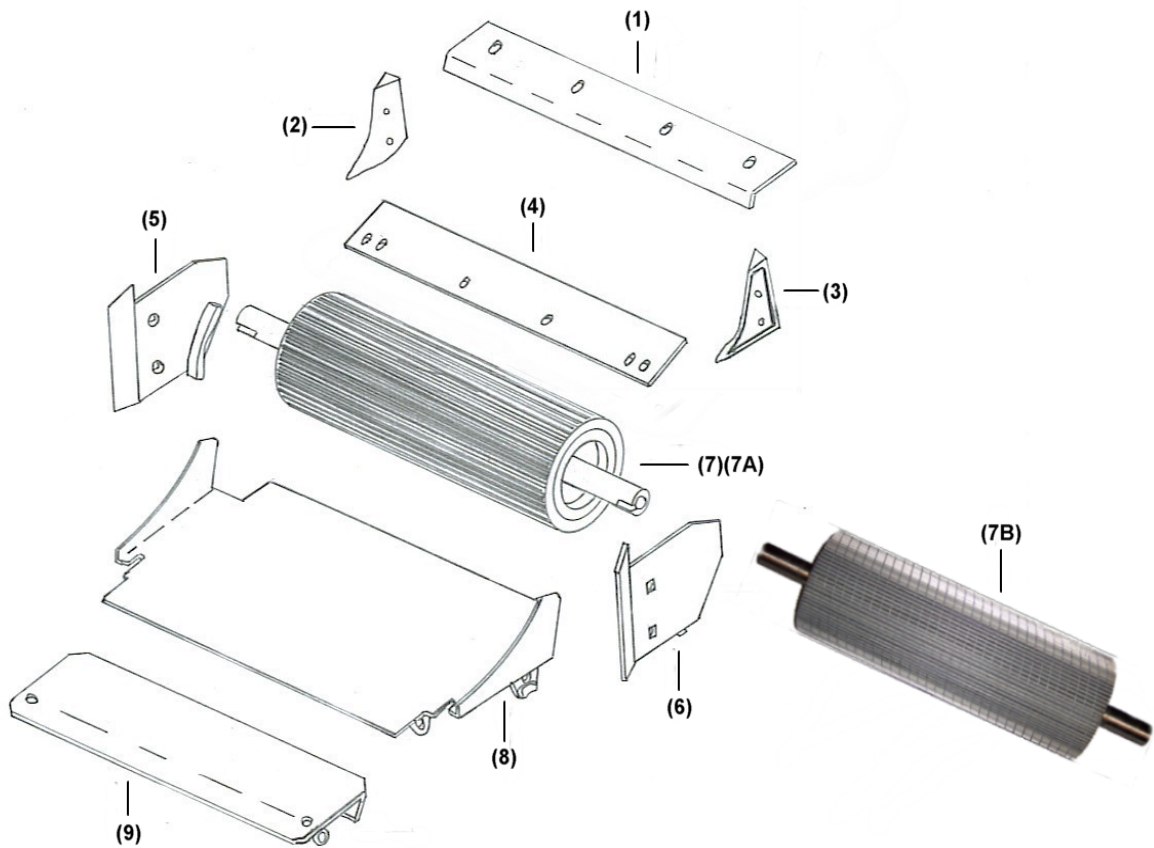
<u>Item No.</u>	<u>Maize Part No.</u>	<u>Deere Part No.</u>	<u>Description</u>	<u>Qty Req</u>
7	74127MBK	Z74127	<u>Bolt kit</u> , replaceable tooth, upper front feedroll	1
8	62417M	AZ62417	<u>Needle bearing</u> , inside RH	1
9	10071M	JD10071	<u>Needle bearing</u> , upper front feedroll	3
10	28870M	AL28870	<u>Seal</u> , upper front feedroll	4
11	81672M	Z81672	<u>Shaft</u> , upper front feedroll, induction hardened shaft ends	1
12	59687M	AZ59687	<u>Feedroll, lower rear</u> , induction hardened splines, shaft ends and outside 2” of roll , manufactured from special material, longer life	1
13	47886M	AZ47886	<u>Chain coupling</u> , lower rear feedroll to gear box drive shaft, heavy duty	1
14	57514M	AZ57514	<u>Coupling sprocket</u> , lower feedroll, heat treated shaft	1
15	57354M	AZ57354	<u>Coupling sprocket</u> , gear box drive shaft to lower rear feedroll, heat treated	1
16	57158M	AZ57158	<u>Feedroll</u> , lower front, stainless steel, cross bars are thicker	1

CUTTER HEAD LIDS, PANS AND RELATED PARTS



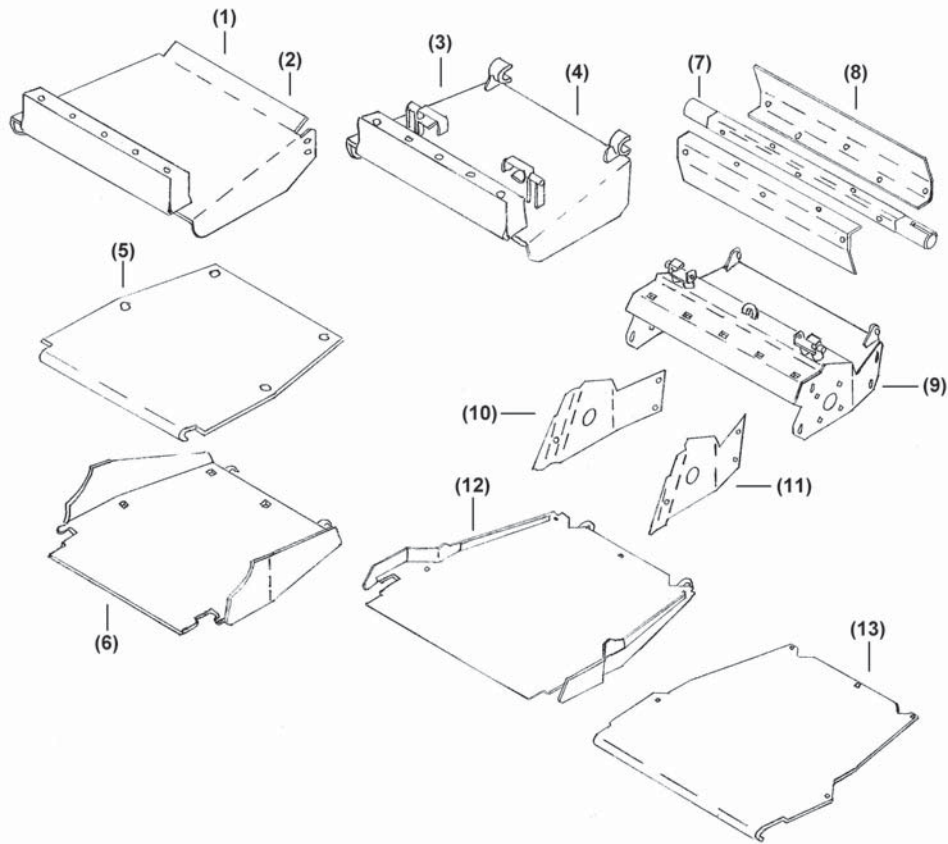
Item No.	Maize Part No.	Deere Part No.	Description	Qty Req
1	100834M	AZ100834	<u>40 Knife cutter head</u> , replaceable shaft, includes heavy duty outside plates with two internal 1/2" plates to support each knife bracket. Comes standard with corn knife (72500M) or grass knife (81123M) Add tungsten carbide to knife bracket face Add super knife corn (72500MS) or grass (81123MS)	1
2	64735M		<u>Heavy duty cutter bar</u> , with tungsten carbide coating, use for corn and grass, includes bearing kit	1
3	100761M	AZ100761	<u>Coupling sprocket</u> , cutter head shaft	1
4	59516M	AZ59516	<u>Coupling chain and connecting link</u>	1
5	100763M	AZ100763	<u>Coupling sprocket</u> , gear box shaft	1
6	56005M	AZ56005	<u>Sharpening stone</u>	1
7	69650M	Z69650	<u>Knife bolt</u> , wide head metric 12.9	120/144
8	76801M	Z76801	<u>Top strap</u> , heat treated	40/48
9	72500M	Z72500	<u>Corn knife</u> , inlaid tungsten carbide	40/48
10	81123M	Z81123	<u>Grass knife</u> , inlaid tungsten carbide	40/48
11	72498M	Z72498	<u>Nut, knife bolt</u> , heat treated cold roll steel	
12	57836M	AZ57836	<u>Cover, upper rear</u> , cutter head, special longer life alloy	1
13	58855M	AZ58855	<u>Cover upper front</u> , cutter head, special longer life alloy	1
14	58229MS	N/A	<u>Pan</u> , under cutter head, 1/8" chromium carbide hard surface	1
15	58229M	AZ58229	<u>Pan</u> , under cutter head, standard, special longer life alloy	1
16	63743M	AZ63743	<u>Pan</u> , under cutter head, special longer life alloy	1
17	57552M	AZ57552	<u>Cover</u> , rear cutter head	1
18	75383M	Z75383	<u>Wear plate</u> , rear, special longer life alloy	1
19	72502M	Z72502	<u>Wear plate</u> , behind cutter bar, alloy	1

KERNAL PROCESSOR



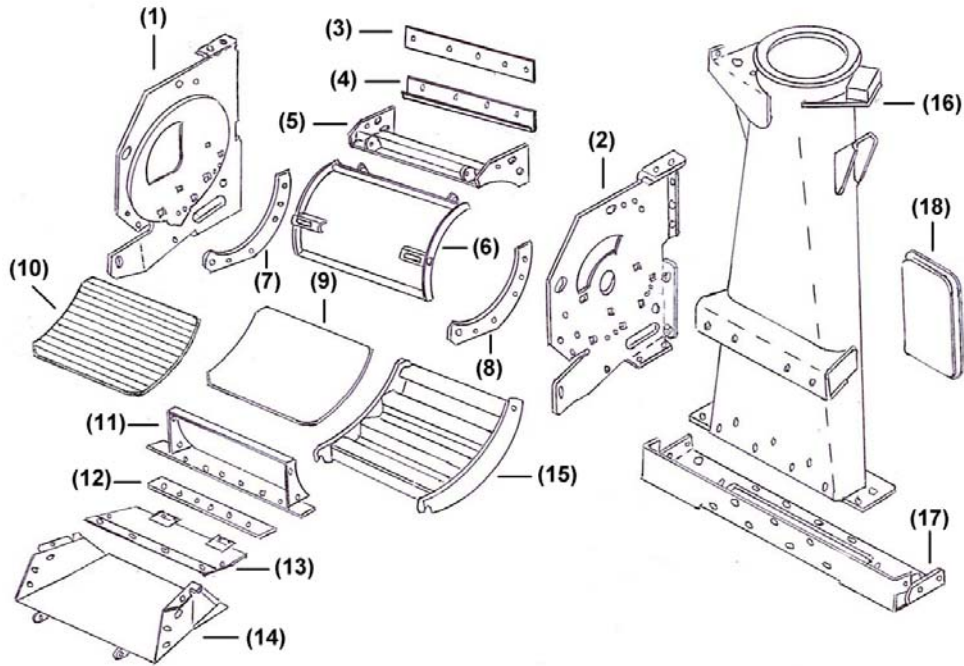
Item No.	Maize Part No.	Deere Part No.	Description	Qty Req
1	74717M	Z74717	<u>Deflector</u> upper rear, alloy, longer life	1
2	13283M	Z13283	<u>Deflector</u> , RH, heat treated, OEM specs	1
3	13282M	Z13282	<u>Deflector</u> , LH, heat treated, OEM specs	1
4	74716M	Z74716	<u>Deflector</u> , alloy, longer life	1
5	100687M	AZ100687	<u>Wear plate</u> , RH, AR steel for longer life	1
6	100688M	AZ100688	<u>Wear plate</u> , LH, AR steel for longer life	1
7	54514M	AZ54514	<u>Crimper roll</u> , saw tooth, special open design, more capacity	1
7A	54514MC	N/A	<u>Crimper roll</u> , chrome, sawtooth, more capacity, longer life	1
7B	54514MS	N/A	<u>Spiral crimper roll</u> , heat treated, high capacity	1
8	71589M	AZ71589	<u>Chute</u> , AR steel for longer life	1
9	63746M	AZ63746	<u>Deflector</u> , AR steel for longer life	1

CHUTES, LINERS AND POWER CHUTE



<u>Item No.</u>	<u>Maize Part No.</u>	<u>Deere Part No.</u>	<u>Description</u>	<u>Qty Req</u>
1	74744M	Z74744	<u>Chute</u> , steel, w/o KP installed	1
2	78794M	Z78794	<u>Chute</u> , stainless, w/o KP installed	1
3	61628M	AZ61628	<u>Chute</u> , steel, with KP installed	1
4	63979M	N/A	<u>Chute</u> , stainless, with KP installed	1
5	78792M	Z778792	<u>Liner</u> , stainless, w/o power chute	1
6	65663M	AZ65663	<u>Chute</u> , w/o power chute	1
7	78420M	Z78420	<u>Shaft</u>	1
8	78421M	Z78421	<u>Paddle</u>	4
9	63663M	AZ63663	<u>Housing</u> , power chute	1
10	78427M	Z78427	<u>Side plate</u> , RH	1
11	78426M	Z78426	<u>Side plate</u> , LH	1
12	100911M	AZ100911	<u>Chute</u> , used with power chute	1
13	100912M	N/A	<u>Liner</u> , stainless, for 100911M	1

BLOWER ASSEMBLY



Item No.	Maize Part No.	Deere Part No.	Description	Qty Req
1	57764M	AZ57764	<u>Side panel, RH, alloy liner</u>	1
2	57763M	AZ57764	<u>Side panel, LH, alloy liner</u>	1
3	73543M	AZ73543	<u>Deflector, top rear, beveled for performance</u>	1
4	76026M	Z76026	<u>Cover, top rear</u>	1
5	57745M	AZ57745	<u>Cover, top rear, AR, steel</u>	1
6	57801M	AZ57801	<u>Lid, blower, AR, steel</u>	1
7	73373M	Z73373	<u>Support bracket, RH, heat treated</u>	1
8	73372M	Z73372	<u>Support bracket, LH, heat treated</u>	1
9	73473M	Z73473	<u>Blower bottom, high carbon steel</u>	1
10	77599MS	Z77599	<u>Blower bottom, with 1/8" chromium carbide hard surface</u>	1
11	57802M	AZ57802	<u>Cover, lower front</u>	1
12	73731M	Z73731	<u>Deflector, lower front, AR Steel</u>	1
13	58161M	AZ58161	<u>Lid, lower front, stainless steel hinges</u>	1
14	57887M	AZ57887	<u>Chute, blower inlet</u>	1
15	57820M	AZ57820	<u>Frame, blower bottom</u>	1
16	58194M	AZ58194	<u>Chute, outlet 250mm, includes hardsurfacing at lower end</u>	1
17	82113M	Z82113	<u>Support</u>	1
18	20713M	Z20713	<u>Cover, rear</u>	1

Maize Corporation has been a manufacturer of high quality, discount priced forage harvester repair parts since 1977. No one in the after market repair parts business has more experience or know how pertaining to forage parts than the employees at Maize Corporation.

Some parts in this catalog are only available from Maize Corporation.

We have made design changes in a number of repair parts in this catalog. The parts with these changes will retrofit your forage harvester without any changes or modifications to your base machine. Our intent is to extend the life and durability of these parts.

We use stainless steel, special alloy steel, hard surfacing and heavier gauge material in places where high wear exists to extend life and performance of the machine.

We have always manufactured high quality repair parts that are checked and fitted to an actual machine during the tool proving run.

We at Maize Corporation don't just copy the OEM part, we strive to improve it. You will save when you purchase your parts from Maize Corporation and get a high quality part that fits.

We now accept major credit cards



TERMS AND SHIPPING

With approved credit, invoices are due the 10th of month following the month of shipment. (Shipment is made in June it will be due in full on July 10th). We want all who qualify to be on open account. It makes shipment much easier if the carrier can leave the shipment at your shop or residence without someone meeting them.

We ship, if at all possible, the same day we receive the order. We use all available carriers (UPS, FED EX, all truck lines, counter to counter and regular air freight). We know what down time costs and promise to do our part to limit it.

We will be happy to furnish you with references from people in your area as to who we are and about our product's quality.

Winter hours: 8:00 - 5:00 Weekdays

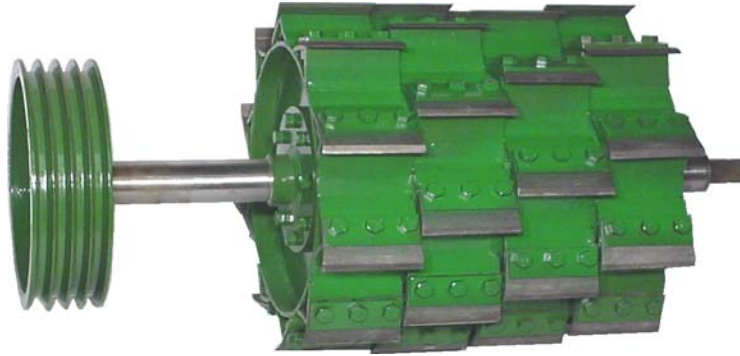
In season 8:00 - 5:30 Weekdays

8:00 - 12:00 Saturdays

Toll free phone will be transferred to someone during evenings and weekends.

John Deere® (Deere) is a registered name. We are not affiliated with Deere® nor are we representing our repair parts to be manufactured by Deere®. Maize Corporation is a manufacturer of after market replacement parts. Design and pricing are subject to change without notice.

**MAIZE CORPORATION
PO BOX 476
MAIZE, KS 67101**



Maize cutter head assembly, includes knives installed, adjusted and torqued. 3/4" end plates, with two 1/2" plates inside the cutterhead gives support to each of the knife mounts

PRSRT STD
U.S. POSTAGE
PAID
MAIZE, KS
PERMIT NO 2

RETURN SERVICE REQUESTED